

Spring hinges

steel or stainless steel, 180 mm



Material:

Steel or 1.4301 stainless steel.
Tension spring stainless steel.

Version:

Steel bright or electro zinc-plated.
Stainless steel bright.

Sample order:

nIm 27903-4018000

Note:

Butt type hinges.
Opening angle 270°.

Spring torque opening:

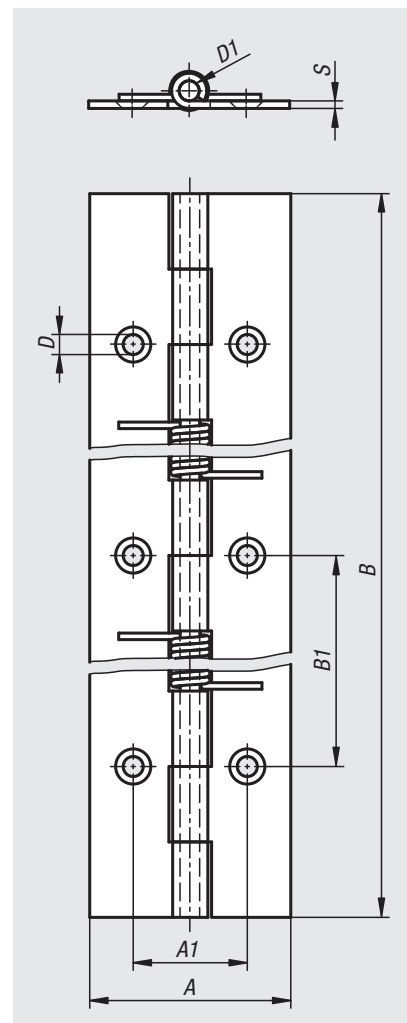
M(0°): 1.7 Nm / M(90°): 1.1 Nm / M(180°): 0.56 Nm

Spring torque closing:

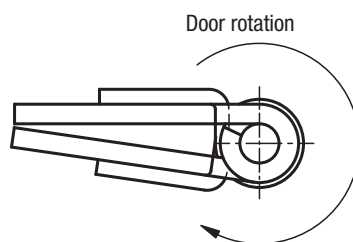
M(0°): 0.56 Nm / M(90°): 1.1 Nm / M(180°): 1.7 Nm

Form A: without holes

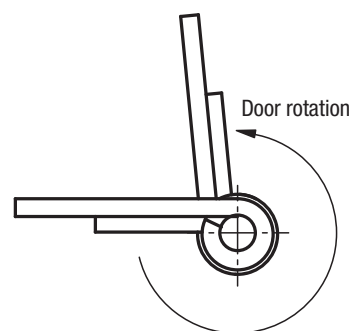
Form B: with holes



Hinges with closing spring



Hinges with opening spring



Order No.	Form	Version 1	Main material	Finish	A	A1	B	B1	D	D1	S
27903-4018000	A	spring open	steel	bright	40	-	180	-	-	4	1,5
27903-4018001	B	spring open	steel	galvanised	40	22,7	180	60	4	4	1,5
27903-14018000	A	spring open	stainless steel	bright	40	-	180	-	-	4	1,5
27903-14018001	B	spring open	stainless steel	bright	40	22,7	180	60	4	4	1,5
27903-4018010	A	spring closed	steel	bright	40	-	180	-	-	4	1,5
27903-4018011	B	spring closed	steel	galvanised	40	22,7	180	60	4	4	1,5
27903-14018010	A	spring closed	stainless steel	bright	40	-	180	-	-	4	1,5
27903-14018011	B	spring closed	stainless steel	bright	40	22,7	180	60	4	4	1,5