

Spring hinges

steel, stainless steel or aluminium, 120 mm



Material:

Steel, 1.4301 stainless steel or 5754 aluminium.
Tension spring steel or stainless steel.

Version:

Steel bright or electro zinc-plated
Stainless steel and aluminium, bright.
Tension spring Zn/Al alloy.

Sample order:

nIm 27902-4012000

Note:

Butt type hinges.
Opening angle 270°.

Opening spring torque:

$M(0^\circ) : 0.85 \text{ Nm} / M(90^\circ) : 0.56 \text{ Nm} / M(180^\circ) : 0.28 \text{ Nm}$

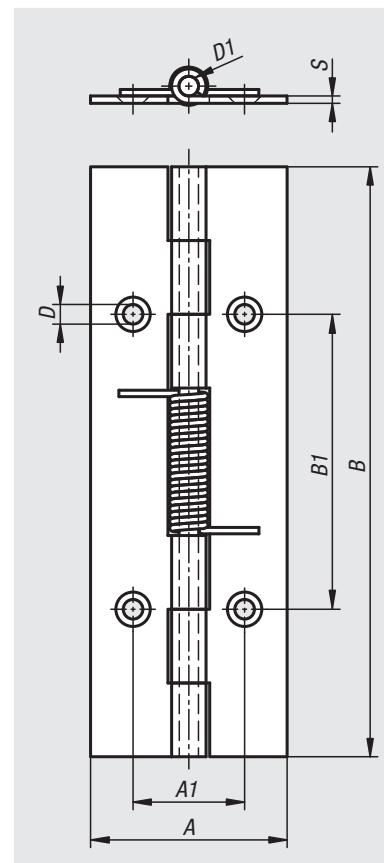
Closing spring torque:

$M(0^\circ) : 0.28 \text{ Nm} / M(90^\circ) : 0.56 \text{ Nm} / M(180^\circ) : 0.85 \text{ Nm}$

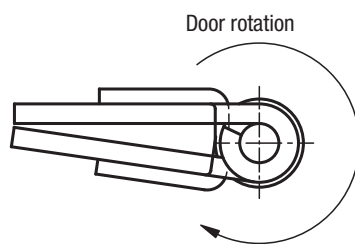
By the aluminium hinges, the tension springs are steel alloyed with Zn/Al.

Form A: without holes

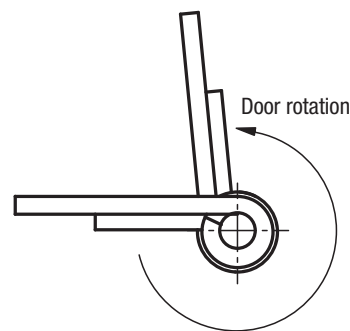
Form B: with holes



Hinges with closing spring



Hinges with opening spring



Order No.	Form	Version 1	Main material	Finish	A	A1	B	B1	D	D1	S
27902-4012000	A	spring open	steel	bright	40	-	120	-	-	4	1,5
27902-4012001	B	spring open	steel	galvanised	40	22,7	120	60	4	4	1,5
27902-14012000	A	spring open	stainless steel	bright	40	-	120	-	-	4	1,5
27902-14012001	B	spring open	stainless steel	bright	40	22,7	120	60	4	4	1,5
27902-24012000	A	spring open	aluminium	bright	40	-	120	-	-	4	1,5
27902-24012001	B	spring open	aluminium	bright	40	22,7	120	60	4	4	1,5
27902-4012010	A	spring closed	steel	bright	40	-	120	-	-	4	1,5
27902-4012011	B	spring closed	steel	galvanised	40	22,7	120	60	4	4	1,5
27902-14012010	A	spring closed	stainless steel	bright	40	-	120	-	-	4	1,5
27902-14012011	B	spring closed	stainless steel	bright	40	22,7	120	60	4	4	1,5
27902-24012010	A	spring closed	aluminium	bright	40	-	120	-	-	4	1,5
27902-24012011	B	spring closed	aluminium	bright	40	22,7	120	60	4	4	1,5