

Spring hinges

steel or stainless steel, 75 mm



Material:

Steel or 1.4301 stainless steel.
Tension spring stainless steel.

Version:

Bright.

Sample order:

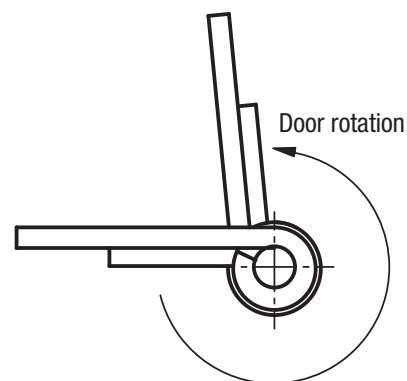
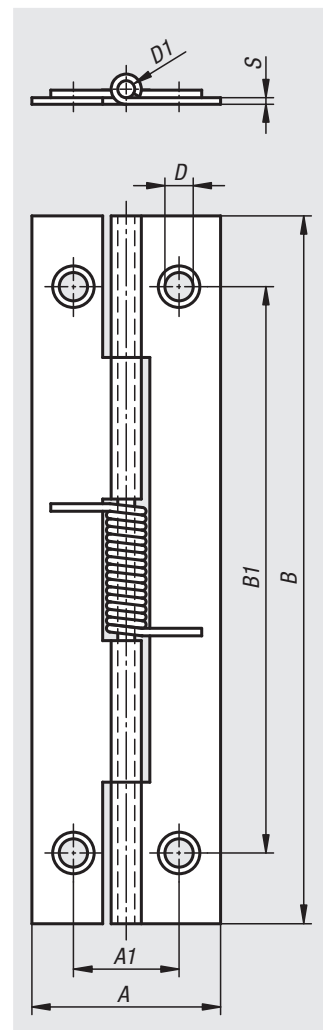
nIm 27901-20750

Note:

Butt type hinges.
Opening angle 270°.

Opening spring torque:

M(0°): 0.12 Nm / M(90°): 0.09 Nm / M(180°): 0.06 Nm



Hinges with opening spring

Order No.	Main material	A	A1	B	B1	D	D1	S
27901-20750	steel	20	11,2	75	60	2,8	1,8	0,8
27901-120750	stainless steel	20	11,2	75	60	2,8	1,8	0,8