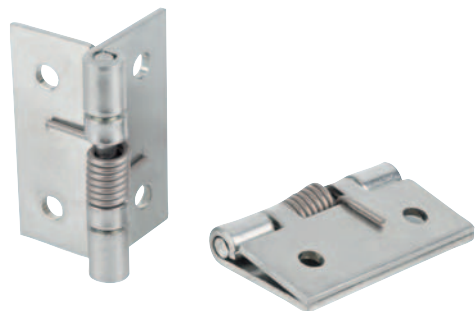


Spring hinges

steel, stainless steel or aluminium, 50 mm



Material:

Steel, 1.4301 stainless steel or 5754 aluminium.
Tension spring steel or stainless steel.

Version:

Steel electro zinc-plated
Stainless steel and aluminium, bright.
Tension spring Zn/Al alloy.

Sample order:

nIm 27900-50500

Note:

Butt type hinges.
Opening angle 270°.

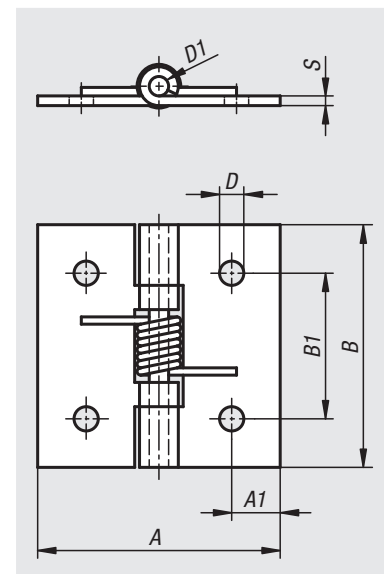
Opening spring torque:

$M(0^\circ) : 1.5 \text{ Nm} / M(90^\circ) : 1.1 \text{ Nm} / M(180^\circ) : 0.65 \text{ Nm}$

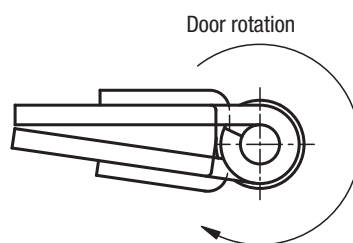
Closing spring torque:

$M(0^\circ) : 0.25 \text{ Nm} / M(90^\circ) : 0.65 \text{ Nm} / M(180^\circ) : 1.1 \text{ Nm}$

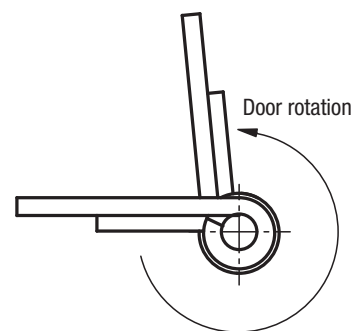
By the aluminium hinges, the tension springs are steel alloyed with Zn/Al.



Hinges with closing spring



Hinges with opening spring



Order No.	Version 1	Main material	A	A1	B	B1	D	D1	S
27900-50500	spring open	steel	50	9	50	30	5	4	2
27900-150500	spring open	stainless steel	50	10	50	30	5	4	2
27900-250500	spring open	aluminium	50	9	50	30	5	4	2
27900-50501	spring closed	steel	50	9	50	30	5	4	2
27900-150501	spring closed	stainless steel	50	10	50	30	5	4	2
27900-250501	spring closed	aluminium	50	9	50	30	5	4	2

20000
21000
22000
23000
24000
26000
27000
28000
29000
31000
32000
33000