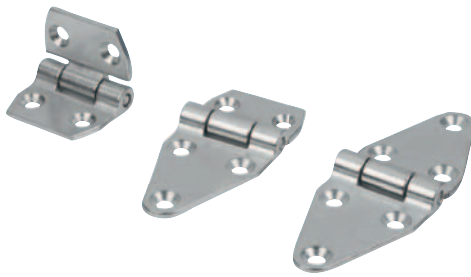


# Hinges

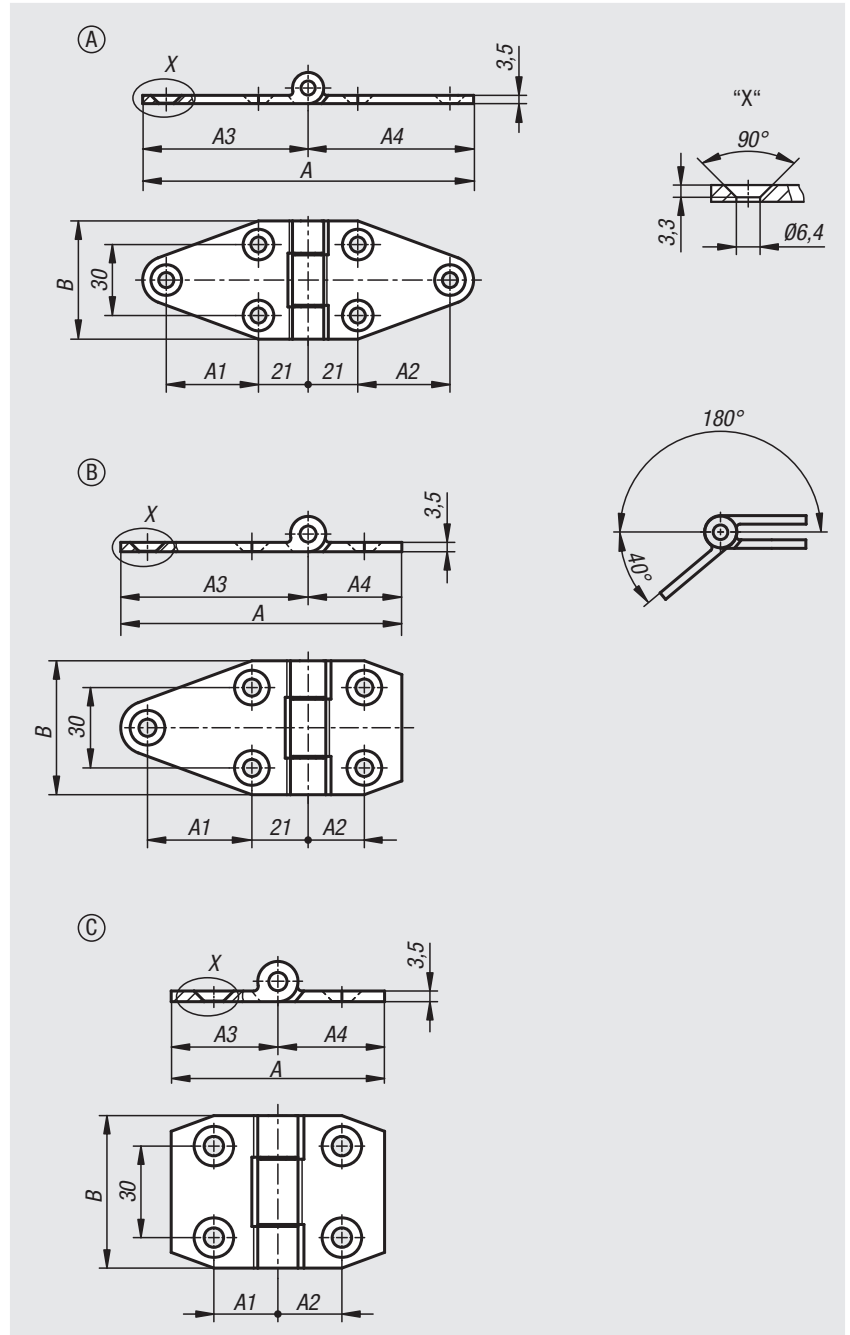
steel, maintenance-free



**Material:**  
Profile steel.  
Bush Metaloplast.

**Version:**  
Steel parts electro zinc-plated.

**Sample order:**  
nlm 27898-06707050



| Order No.      | Form | A   | A1 | A2 | A3 | A4 | B  |
|----------------|------|-----|----|----|----|----|----|
| 27898-06707050 | A    | 140 | 39 | 39 | 70 | 70 | 50 |
| 27898-06703550 | B    | 105 | 39 | 21 | 70 | 35 | 50 |
| 27898-06353550 | C    | 70  | 21 | 21 | 35 | 35 | 50 |