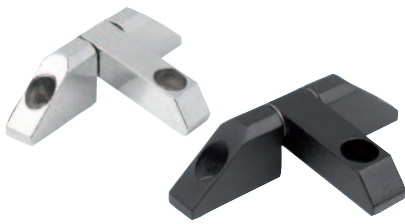


# Block hinges

with counterbore, long version

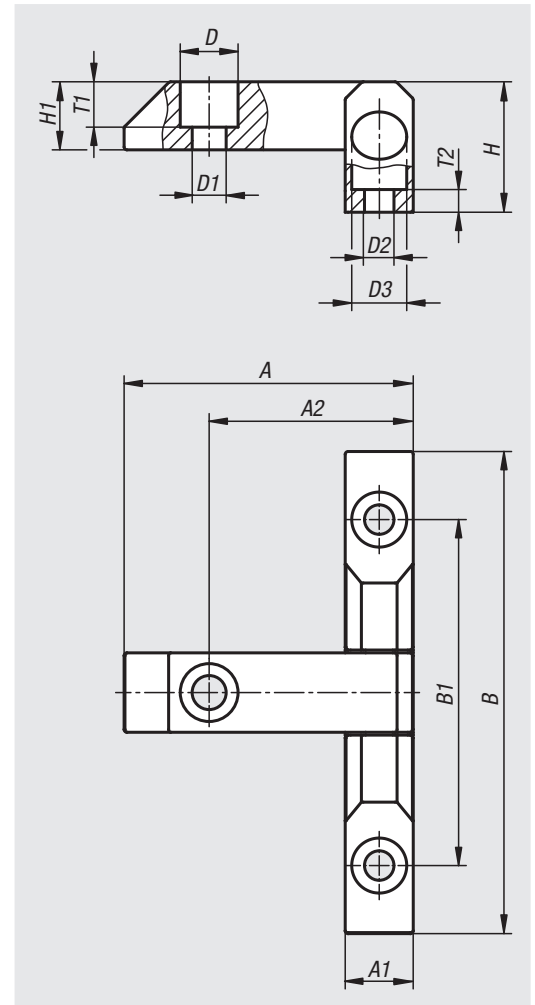


**Material:**  
Die-cast zinc.

**Version:**  
Electro zinc-plated, high-gloss chromed or black powder-coated.

**Sample order:**  
nlm 27892-00630061

**Note:**  
Block hinges for overlapping doors. Can be mounted left or right. Opening angle 180°. The hinges are supplied assembled.



Order No.	Surface finish body	A	A1	A2	B	B1	D	D1	D2	D3	H	H1	T1	T2
27892-00630061	galvanised	51	12	36	85	61	10,2	6	5,2	9,7	23	12	8	4
27892-10630061	high-gloss chromed	51	12	36	85	61	10,2	6	5,2	9,7	23	12	8	4
27892-20630061	powder-coated	51	12	36	85	61	10,2	6	5,2	9,7	23	12	8	4

20000 21000 22000 23000 24000 26000 27000 28000 29000 31000 32000 33000