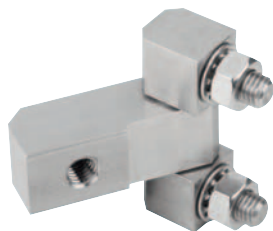


Block hinges

with fastening nuts, long version



Material:

Steel.
Stainless steel 1.4305.
Stainless steel A4 1.4401.

Version:

Steel electro zinc-plated.
Stainless steel bright.

Sample order:

nIm 27891-0630028

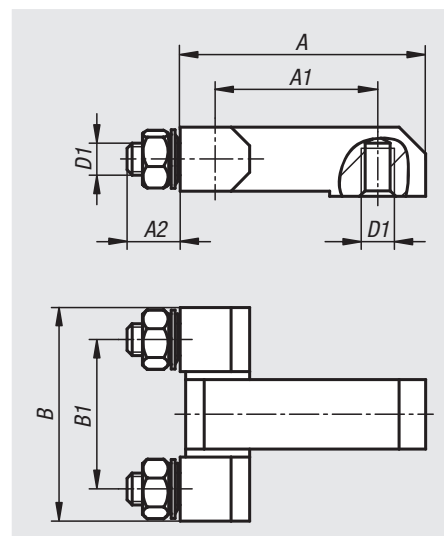
Note:

Block hinges with fastening nuts and extended middle section for inset doors.

Mounted with nuts (M6 or M8) from inside.

The hinge can be mounted left or right. The opening angle is 180°.

Supplied unassembled. Fastening nuts and washers are supplied.



Order No.	Main material	Steel code	A	A1	A2	B	B1	D1
27891-0630028	steel	-	45	30	10	40	28	M6
27891-0829035	steel	-	50	29	14	51	35	M8
27891-10630028	stainless steel	1.4305	45	30	10	40	28	M6
27891-10829035	stainless steel	1.4305	50	29	14	51	35	M8
27891-20630028	stainless steel	1.4401	45	30	10	40	28	M6
27891-20829035	stainless steel	1.4401	50	29	14	51	35	M8