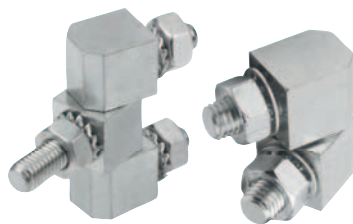


Block hinges

with fastening nuts



Material:

Steel.

Stainless steel 1.4305.

Stainless steel A4 1.4401.

Version:

Steel electro zinc-plated.

Stainless steel bright.

Sample order:

nIm 27890-0614027

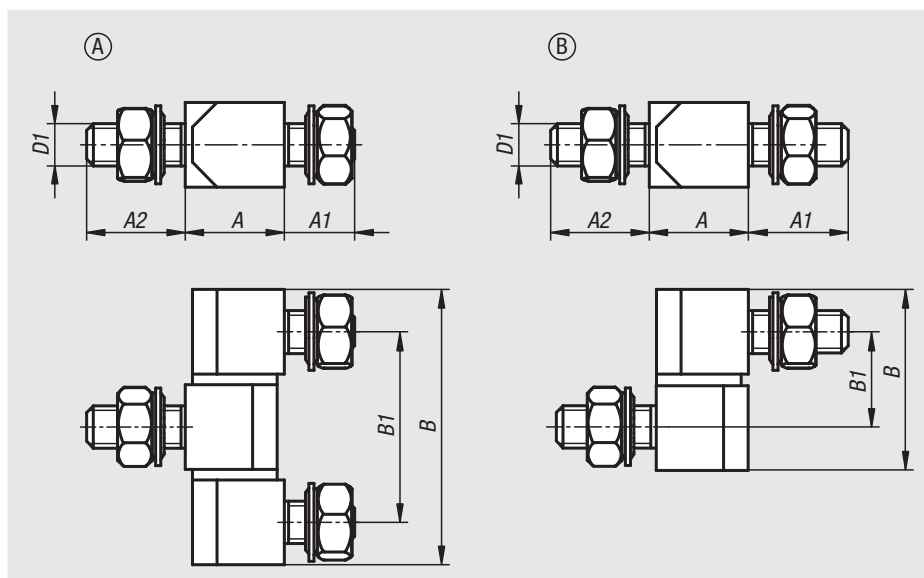
Note:

Block hinges with fastening nuts for overlapping or inset doors.

Mounted with nuts (M6 or M8) from inside. The 3-part versions are not detachable.

The hinge can be used left or right. The opening angle is 180°. Supplied unassembled.

Fastening nuts and washers are supplied.



Order No.	Form	Main material	Steel code	A	A1	A2	B	B1	D1
27890-0614027	A	steel	-	13	10	14	39	27	M6
27890-0820033	A	steel	-	18	14	22	49	33	M8
27890-10614027	A	stainless steel	1.4305	13	10	14	39	27	M6
27890-10820033	A	stainless steel	1.4305	18	14	22	49	33	M8
27890-20614027	A	stainless steel	1.4401	13	10	14	39	27	M6
27890-20820033	A	stainless steel	1.4401	18	14	22	49	33	M8
27890-10610135	B	steel	-	13	10	10	25,3	13,5	M6
27890-10814165	B	steel	-	18	14	14	32,4	16,5	M8
27890-110610135	B	stainless steel	1.4305	13	10	10	25,3	13,5	M6
27890-110814165	B	stainless steel	1.4305	18	14	14	32,4	16,5	M8