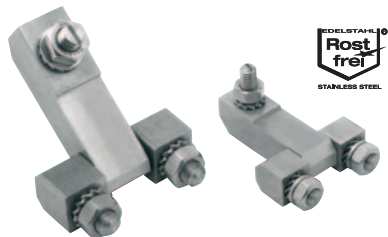


# Block hinges

with fastening nuts



**Material:**

Hinges stainless 1.4305.  
Fastening material stainless 1.4301.

**Version:**

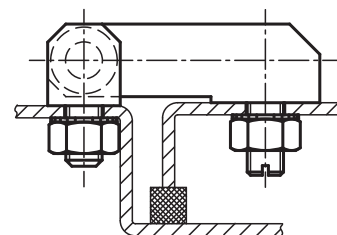
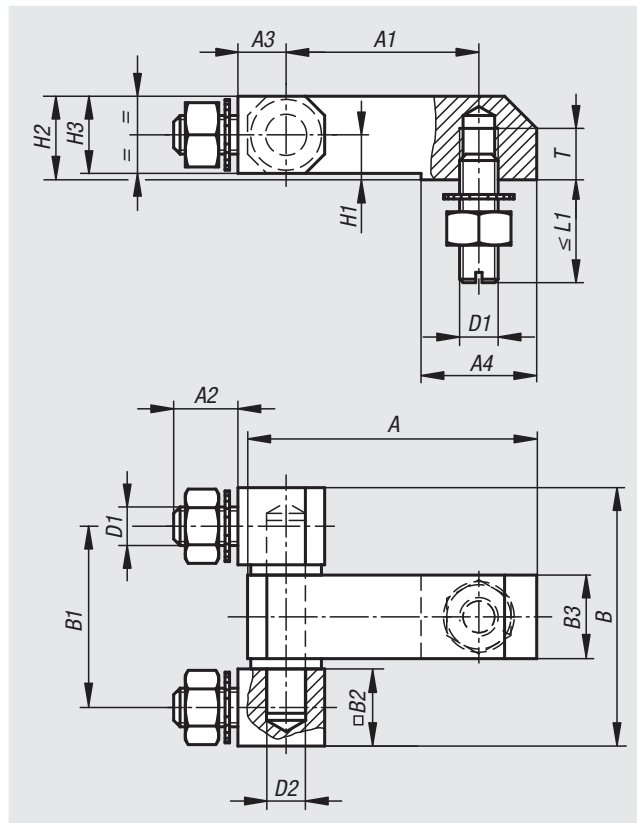
Polished.

**Sample order:**

nIm 27890-02-10630028

**Note:**

Block hinge for flush constructions.  
Light and heavy types.



Order No.	A	A1	A2	A3	A4	B	B1	B2	B3	D1	D2	H1	H2	H3	L1	T	Load capacity N
27890-02-10630028	45	30	10	7,5	18	40,2	28,2	12	13	M6	6	7	13	12	16	8	2600
27890-02-10840035	61	40	14	10	26	51	35	16	18	M8	8	10	18	16	20	10	4800

20000  
21000  
22000  
23000  
24000  
26000  
27000  
28000  
29000  
31000  
32000  
33000