

In-line hinges stainless steel

lift-off, screw-on



Material:

Stainless steel 1.4401.

Version:

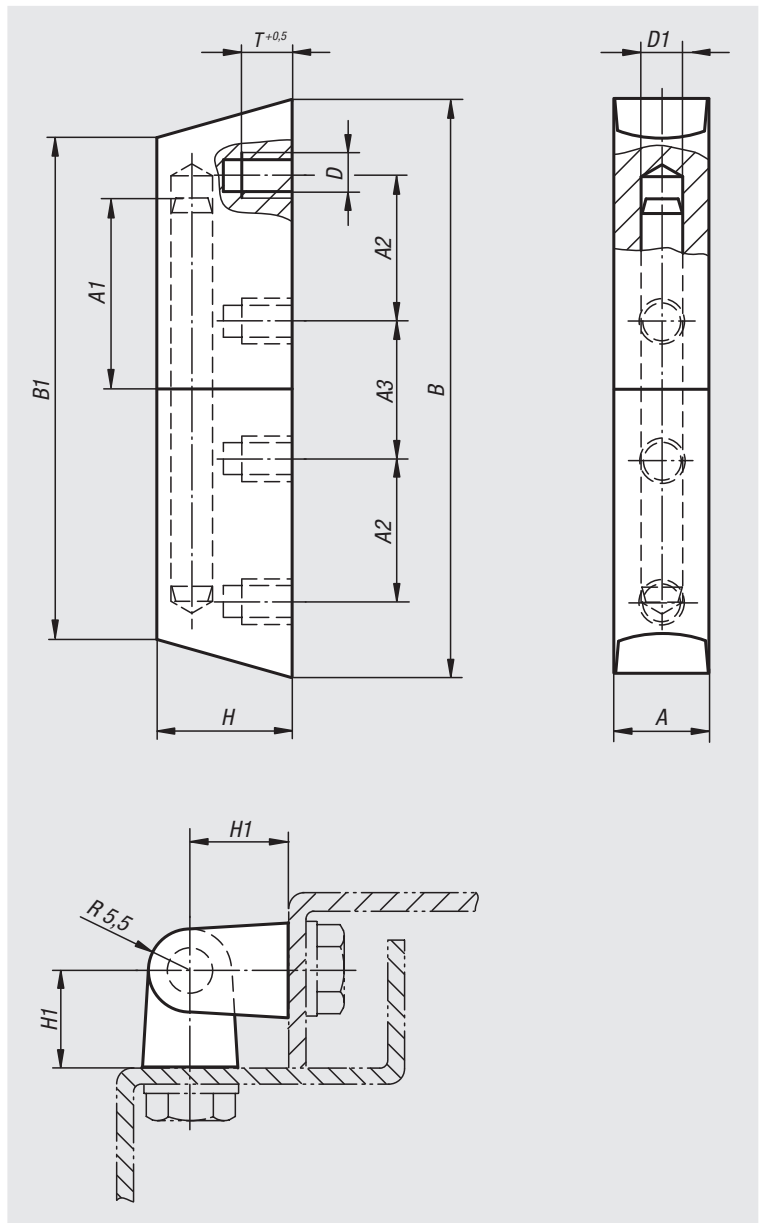
Satin finished.

Sample order:

nln 27886-03-1761218

Note:

Lift-off inline hinge, right or left mounting.
The sloping hinge ends prevent the accumulation of dirt.



Order No.	A	A1	A2	A3	B	B1	D	D1	T	H	H1
27886-03-1761218	12,5	23	19	18	76	66	M6	6	6	18,5	13