

Hinges

weldable



Material:

Hinge steel.
Spacer washer brass.
Hinge pin steel or brass.

Version:

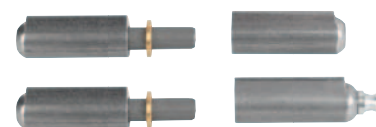
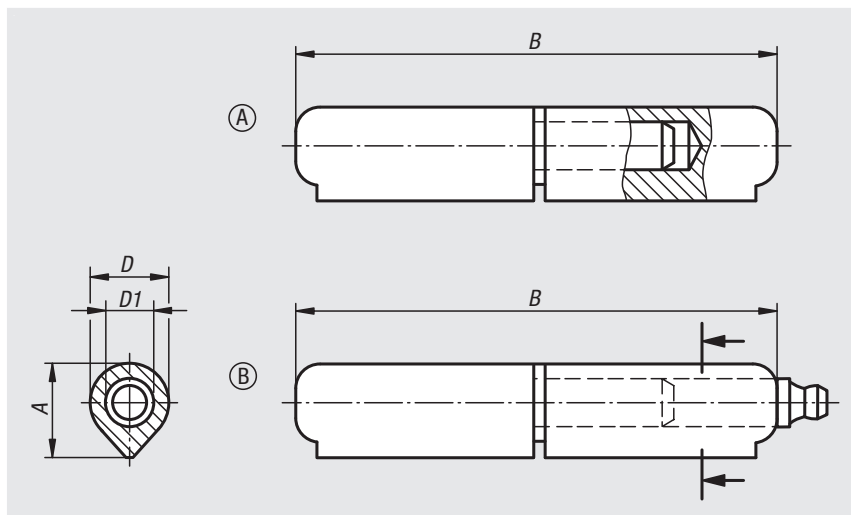
Grease nipple DIN 71412-D, electro zinc-plated steel.
Steel parts, bright.

Sample order:

nIm 27885-008040012

Note:

The hinges are made of weldable profile steel.
The pin is fixed into the lower part of the hinge.
The differing steel qualities of the weld and the beam onto which the hinge is welded must be at least equal to or better than:
S235 JR+AR acc. to EN 10025-2:2004-10
DIN 8563 part 3 or Fe E 235 acc. to SIA 161



Order No.	Form	Component material	A	B	D	D1
27885-008040012	A	steel	9,7	40	8	5
27885-008050012	A	steel	9,7	50	8	5
27885-010060012	A	steel	12,7	60	10	6
27885-010070012	A	steel	12	70	10	6
27885-013080012	A	steel	15,5	80	13	8
27885-016100012	A	steel	20	100	16	10
27885-016120012	A	steel	20	120	16	11
27885-018135012	A	steel	22	135	18	12
27885-020150012	A	steel	25	150	20	13
27885-020180012	A	steel	25	180	20	14
27885-023200012	A	steel	28,5	200	23	16
27885-008040022	A	brass	9,7	40	8	5
27885-008050022	A	brass	9,7	50	8	5
27885-010060022	A	brass	12,7	60	10	6
27885-010070022	A	brass	12	70	10	6
27885-013080022	A	brass	15,5	80	13	8
27885-016100022	A	brass	20	100	16	10
27885-016120022	A	brass	20	120	16	11
27885-018135022	A	brass	22	135	18	12
27885-020150022	A	brass	25	150	20	13
27885-020180022	A	brass	25	180	20	14
27885-023200022	A	brass	28,5	200	23	16
27885-113080012	B	steel	16	80	13	8
27885-116100012	B	steel	20	100	16	10
27885-116120012	B	steel	20	120	16	10
27885-118135012	B	steel	22,5	135	18	12
27885-120150012	B	steel	25,5	150	20	13
27885-120180012	B	steel	25	180	20	14
27885-123200012	B	steel	29	200	23	16