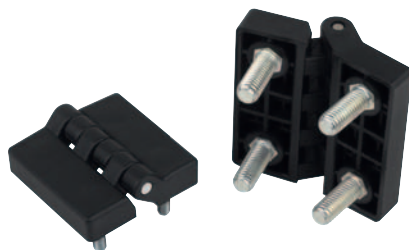


Hinges

plastic with fastening screws



Material:

Fibreglass reinforced thermoplastic.
Hinge pin steel.

Version:

Hinge black.
Hinge pin electro zinc-plated.

Sample order:

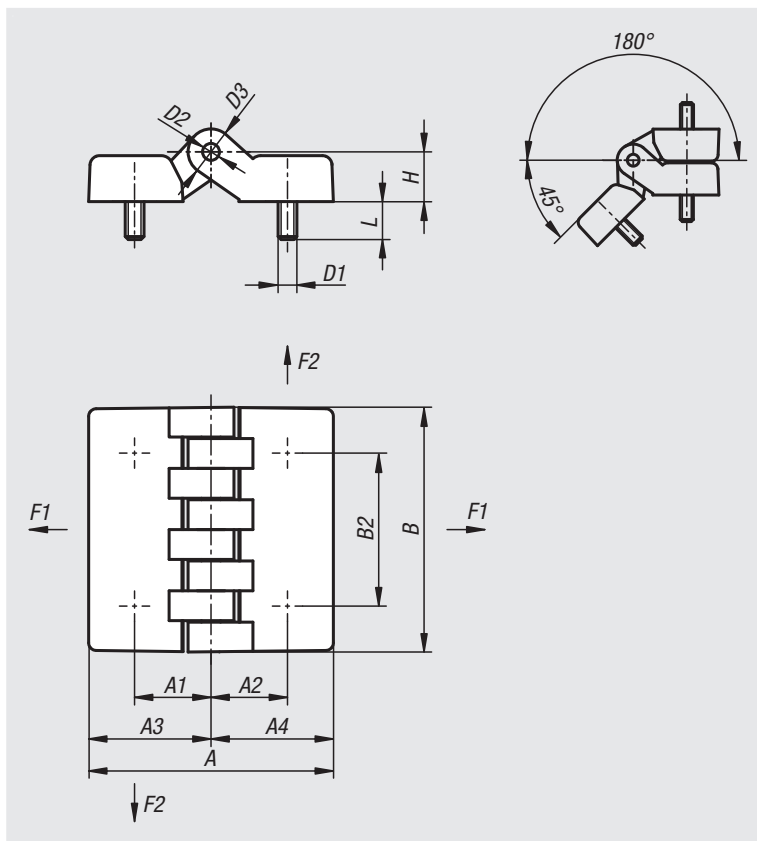
nIm 27882-05241515

Note:

The loading values given for the hinges are non-binding reference values without consideration of safety factors and exclude any liability. The values given are for information purposes only and do not constitute a legally binding assurance of properties.

The load values have been determined under laboratory conditions. Each user must determine individually whether the hinge is suitable for the respective application.

Different materials onto which the hinges are installed and the type of mounting, weather conditions and wear can influence the determined values.



Order No.	A	A1	A2	A3	A4	B	B2	D1	D2	D3	H	L	F1 N	F2 N
27882-05241515	48	15	15	24	24	48	30	M5	5	10	10,5	15	1780	1370
27882-06241515	48	15	15	24	24	48	30	M6	5	10	10,5	15	1780	1370
27882-06322020	64	20	20	32	32	64	40	M6	5	12	13	20	4120	1760
27882-08322020	64	20	20	32	32	64	40	M8	5	12	13	20	4120	1760
27882-08483232	95	31,5	31,5	47,5	47,5	95	60	M8	8	18	19	20	4900	1275
27882-10483232	95	31,5	31,5	47,5	47,5	95	60	M10	8	18	19	20	4900	1275