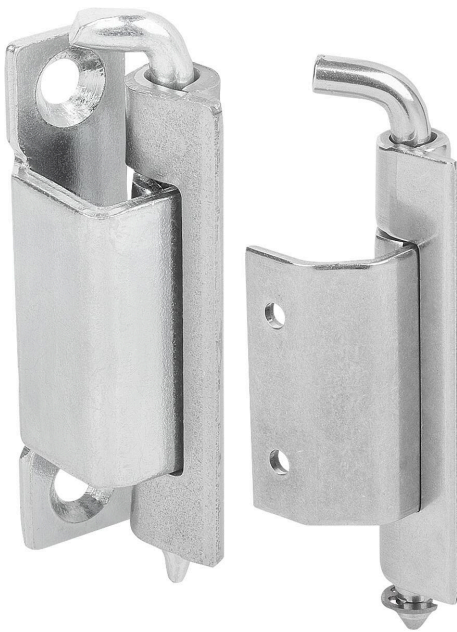


Item description/product images



Description

Product description:

Concealed hinges are usually employed for functional or visual reasons. The hinge is mounted on the inside edge of the door and frame and is only visible when the door is open.

Material:

Door part, frame part and pin steel, stainless steel 1.4305, 1.4301 or 1.4401.
Locking sleeve PE-LD.
O-ring NBR.

Version:

Door part, frame part and pin steel, untreated or electro zinc-plated.
Door part, frame part and pin bright stainless steel.
Locking sleeve black.

Note:

For on-frame doors.
Hinges not visible.
Folded edge 16, 18 or 20 mm.
For right or left use.
Opening angle 115 or 120°.
Weld-on door part.

Form A: Hinge pin secured by sleeve.

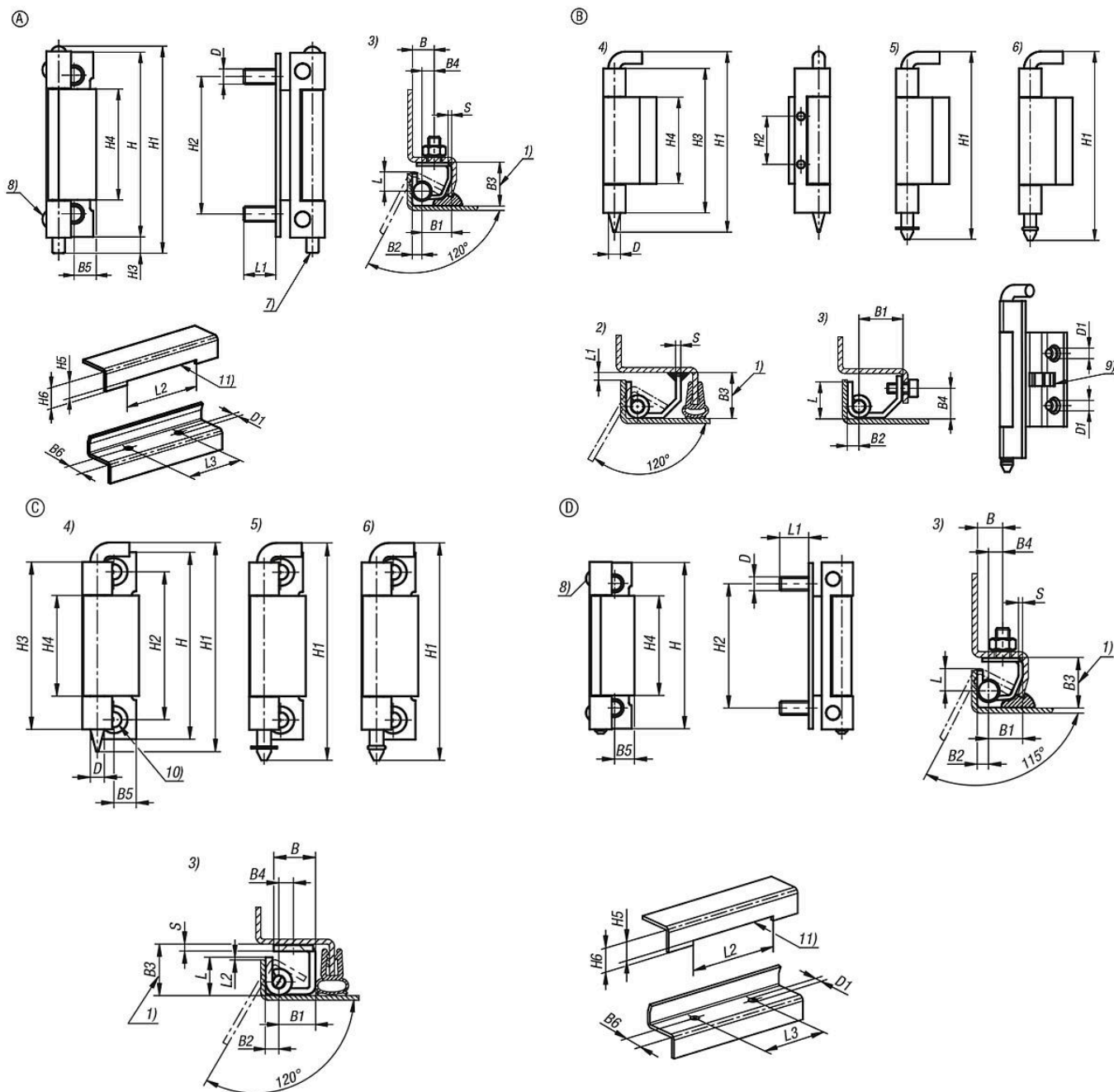
Application:

- Machine and plant construction
- Switchboxes and control housings
- Medical and laboratory technology
- Transport and conveyor systems

Drawing reference:

- 1) Folded edge
- 2) Fastening type frame part: weld-on
- 3) Fastening type frame part: screw-on
- 4) Pin version: without slot
- 5) Pin version: with slot incl. DIN 6799 locking washer
- 6) Pin version: with slot incl. O-ring
- 7) Locking sleeve
- 8) Weld bead
- 9) Reinforced
- 10) Fastening with M5 countersunk screws
- 11) Notch in the door

Drawings



Overview of items

Concealed hinges steel or stainless steel, folded edge up to 20 mm

Order No.	Form	Product type	Pin version	Pin material	Frame part fastening	Frame part material
27878-0111	A	-	pressed in	stainless steel 1.4305	screw on	steel
27878-0222	B	-	without slot	steel	-	steel
27878-0223	B	-	-	steel	-	steel
27878-0224	B	-	-	steel	-	steel
27878-02221	B	intensified	without slot	steel	-	steel
27878-02231	B	intensified	-	steel	-	steel
27878-02241	B	intensified	-	steel	-	steel
27878-0212	B	-	without slot	steel	screw on	steel
27878-0213	B	-	-	steel	screw on	steel
27878-0214	B	-	-	steel	screw on	steel

Overview of items

Order No.	Form	Product type	Pin version	Pin material	Frame part fastening	Frame part material
27878-02121	B	intensified	without slot	steel	screw on	steel
27878-02131	B	intensified	-	steel	screw on	steel
27878-02141	B	intensified	-	steel	screw on	steel
27878-1222	B	-	without slot	Stainless steel 1.4301	-	Stainless steel 1.4301
27878-1223	B	-	-	Stainless steel 1.4301	-	Stainless steel 1.4301
27878-1224	B	-	-	Stainless steel 1.4301	-	Stainless steel 1.4301
27878-1212	B	-	without slot	Stainless steel 1.4301	screw on	Stainless steel 1.4301
27878-1213	B	-	-	Stainless steel 1.4301	screw on	Stainless steel 1.4301
27878-1214	B	-	-	Stainless steel 1.4301	screw on	Stainless steel 1.4301
27878-2214	B	-	-	Stainless steel 1.4401	screw on	Stainless steel 1.4401
27878-2213	B	-	-	Stainless steel 1.4401	screw on	Stainless steel 1.4401
27878-0312	C	-	without slot	steel	screw on	steel
27878-0313	C	-	-	steel	screw on	steel
27878-0314	C	-	-	steel	screw on	steel
27878-1312	C	-	without slot	Stainless steel 1.4301	screw on	Stainless steel 1.4301
27878-1313	C	-	-	Stainless steel 1.4301	screw on	Stainless steel 1.4301
27878-1314	C	-	-	Stainless steel 1.4301	screw on	Stainless steel 1.4301
27878-1411	D	-	pressed in	stainless steel 1.4305	screw on	Stainless steel 1.4301

Order No.	Frame part surface finish	Main material	B	B1	B2	B3	B4	B5	B6	D	D1	H	H1	H2	H3	H4	H5	H6	L	L1	L2	L3	S
27878-0111	electro zinc-plated	steel	12	12,3	4	16	5,3	7	14	M5	5,5	60	71,8	45	9,3	36	13	16	7,3	10,5	62	45	1,5
27878-0222	untreated	steel	-	17,5	4,6	18	-	-	-	5	-	-	75	-	60	36	-	-	14,6	2,5	-	-	2
27878-0223	untreated	steel	-	17,5	4,6	18	-	-	-	5	-	-	78	-	60	36	-	-	14,6	2,5	-	-	2
27878-0224	untreated	steel	-	17,5	4,6	18	-	-	-	5	-	-	75	-	60	36	-	-	14,6	2,5	-	-	2
27878-02221	untreated	steel	-	17,5	4,6	18	-	-	-	5	-	-	75	-	60	36	-	-	14,6	2,5	-	-	2
27878-02231	electro zinc-plated	steel	-	17,5	4,6	18	-	-	-	5	-	-	78	-	60	36	-	-	14,6	2,5	-	-	2
27878-02241	electro zinc-plated	steel	-	17,5	4,6	18	-	-	-	5	-	-	78	-	60	36	-	-	14,6	2,5	-	-	2
27878-0212	electro zinc-plated	steel	-	17,5	4,6	18	12	-	-	5	M4	-	75	20	60	36	-	-	14,6	2,5	-	-	2
27878-0213	untreated	steel	-	17,5	4,6	18	12	-	-	5	M4	-	78	20	60	36	-	-	14,6	2,5	-	-	2
27878-0214	untreated	steel	-	17,5	4,6	18	12	-	-	5	M4	-	78	20	60	36	-	-	14,6	2,5	-	-	2
27878-02121	electro zinc-plated	steel	-	17,5	4,6	18	12	-	-	5	M4	-	75	20	60	36	-	-	14,6	2,5	-	-	2
27878-02131	electro zinc-plated	steel	-	17,5	4,6	18	12	-	-	5	M4	-	78	20	60	36	-	-	14,6	2,5	-	-	2
27878-02141	electro zinc-plated	steel	-	17,5	4,6	18	12	-	-	5	M4	-	78	20	60	36	-	-	14,6	2,5	-	-	2
27878-1222	bright	stainless steel A2	-	17,5	4,6	18	-	-	-	5	-	-	75	-	60	36	-	-	14,6	2,5	-	-	2
27878-1223	bright	stainless steel A2	-	17,5	4,6	18	-	-	-	5	-	-	78	-	60	36	-	-	14,6	2,5	-	-	2
27878-1224	bright	stainless steel A2	-	17,5	4,6	18	-	-	-	5	-	-	78	-	60	36	-	-	14,6	2,5	-	-	2
27878-1212	bright	stainless steel A2	-	17,5	4,6	18	12	-	-	5	M4	-	75	20	60	36	-	-	14,6	2,5	-	-	2
27878-1213	bright	stainless steel A2	-	17,5	4,6	18	12	-	-	5	M4	-	78	20	60	36	-	-	14,6	2,5	-	-	2
27878-1214	bright	stainless steel A2	-	17,5	4,6	18	12	-	-	5	M4	-	78	20	60	36	-	-	14,6	2,5	-	-	2
27878-2214	bright	stainless steel A4	-	17,5	4,6	18	12	-	-	5	M4	-	78	20	60	36	-	-	14,6	2,5	-	-	2
27878-2213	bright	stainless steel A4	-	17,5	4,6	18	12	-	-	5	M4	-	78	20	60	36	-	-	14,6	2,5	-	-	2
27878-0312	electro zinc-plated	steel	17	14,95	5,4	20	6	8	-	5	-	67	75	53	60	36	-	-	15	-	1	-	2,5
27878-0313	electro zinc-plated	steel	17	14,95	5,4	20	6	8	-	5	-	67	78	53	60	36	-	-	15	-	1	-	2,5
27878-0314	electro zinc-plated	steel	17	14,95	5,4	20	6	8	-	5	-	67	78	53	60	36	-	-	15	-	1	-	2,5
27878-1312	bright	stainless steel A2	17	14,95	5,4	20	6	8	-	5	-	67	75	53	60	36	-	-	15	-	1	-	2,5
27878-1313	bright	stainless steel A2	17	14,95	5,4	20	6	8	-	5	-	67	78	53	60	36	-	-	15	-	1	-	2,5
27878-1314	bright	stainless steel A2	17	14,95	5,4	20	6	8	-	5	-	67	78	53	60	36	-	-	15	-	1	-	2,5
27878-1411	bright	stainless steel A2	12	12,2	4	16	5	7,2	14	M5	5,3	60	-	45	-	36	13,5	15	7,3	10,5	62	45	1,5