

Item description/product images

**Description****Product description:**

Concealed hinges are usually employed for functional or visual reasons. The hinge is mounted on the inside edge of the door and frame and is only visible when the door is open.

Material:

Door part, frame part and retaining washer steel or stainless steel 1.4301.

Pin steel, stainless steel 1.4301 or 1.4305.

Safety clip POM.

O-ring NBR.

Version:

Door part, frame part and pin steel, untreated or electro zinc-plated.

Door part, frame part and pin bright stainless steel.

Locking sleeve black.

Note:

For on-frame doors.

Hinges not visible.

Folded edge 23 mm.

For right or left use.

Opening angle 120°.

Frame part for screwing on.

Form B: Captive pin with safety clip.

Form B (stainless steel version): Fire safety tested with E60 rating as per DIN EN 45545-3.

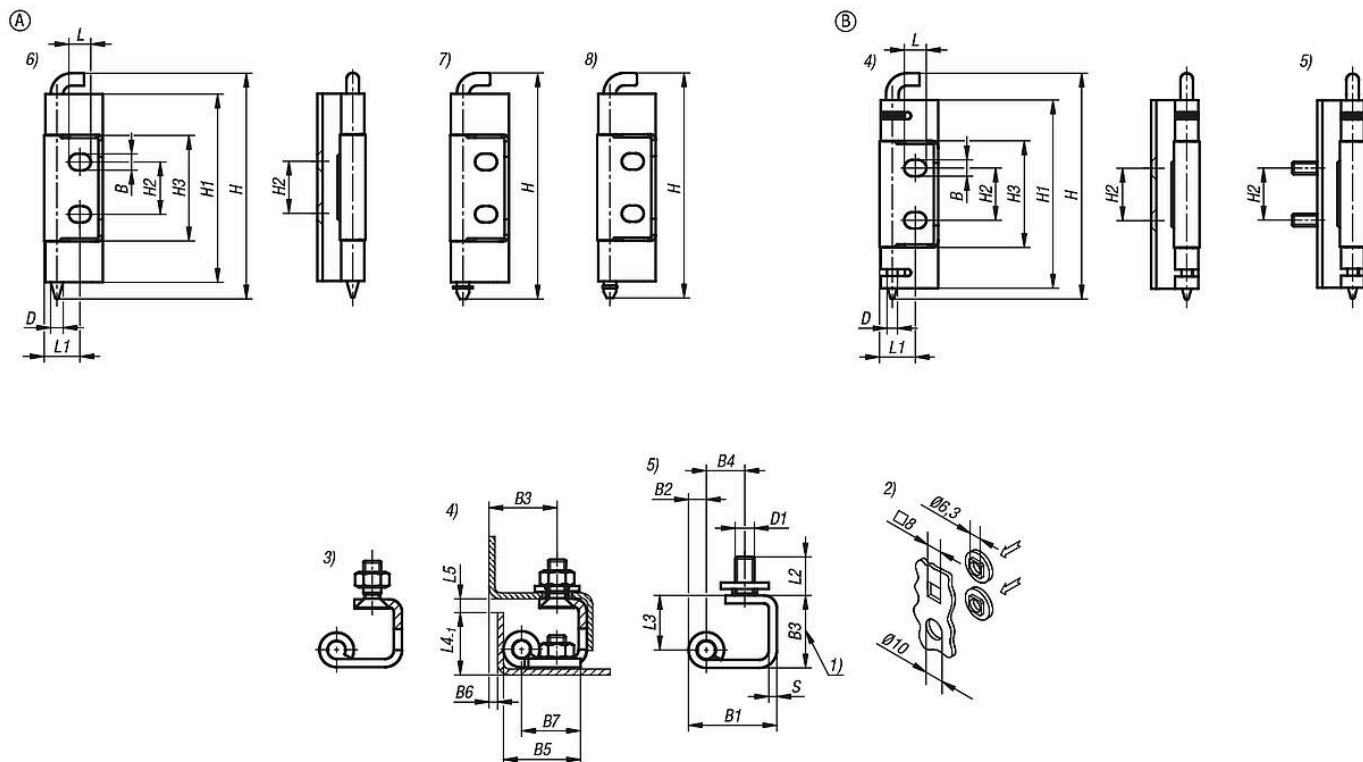
Application:

- Machine and plant construction
- Switchboxes and control housings
- Medical and laboratory technology
- Transport and conveyor systems

Drawing reference:

- 1) Folded edge
- 2) Installation instructions for the retaining washer
- 3) With countersunk hole for M6
- 4) With countersunk hole for M6 + retaining washer
- 5) With M6 stud + locking washer
- 6) Pin version: without slot
- 7) Pin version: with slot incl. DIN 6799 retaining washer
- 8) Pin version: with slot incl. O-ring
- 9) Mounting of safety clip and hanging door section in frame section

Drawings



Overview of items

Concealed hinges steel or stainless steel, folded edge 23 mm

Order No.	Form	Door part fastening	Pin version	Frame part version	Pin material	Version 2
27878-02-01202112	A	-	without slot	-	steel	without locking washer
27878-02-01203112	A	-	-	-	steel	without locking washer
27878-02-01204112	A	-	-	-	steel	without locking washer
27878-02-01212112	A	-	without slot	-	steel	with locking washer
27878-02-01213112	A	-	-	-	steel	with locking washer
27878-02-01214112	A	-	-	-	steel	with locking washer
27878-02-01212122	A	-	without slot	-	steel	with locking washer
27878-02-01213122	A	-	-	-	steel	with locking washer
27878-02-01214122	A	-	-	-	steel	with locking washer
27878-02-01102111	A	screw on	without slot	-	steel	without locking washer
27878-02-01103111	A	screw on	-	-	steel	without locking washer
27878-02-01104111	A	screw on	-	-	steel	without locking washer
27878-02-01112111	A	screw on	without slot	-	steel	with locking washer
27878-02-01113111	A	screw on	-	-	steel	with locking washer
27878-02-01114111	A	screw on	-	-	steel	with locking washer
27878-02-01112121	A	screw on	without slot	-	steel	with locking washer
27878-02-01113121	A	screw on	-	-	steel	with locking washer
27878-02-01114121	A	screw on	-	-	steel	with locking washer
27878-02-11202313	A	-	without slot	-	Stainless steel 1.4301	without locking washer
27878-02-11203213	A	-	-	-	stainless steel 1.4305	without locking washer
27878-02-11204213	A	-	-	-	stainless steel 1.4305	without locking washer
27878-02-11112313	A	-	without slot	-	Stainless steel 1.4301	with locking washer
27878-02-11113213	A	-	-	-	stainless steel 1.4305	with locking washer
27878-02-11114213	A	-	-	-	stainless steel 1.4305	with locking washer
27878-02-11212323	A	-	without slot	-	Stainless steel 1.4301	with locking washer
27878-02-11213223	A	-	-	-	stainless steel 1.4305	with locking washer
27878-02-11214223	A	-	-	-	stainless steel 1.4305	with locking washer
27878-02-02106112	B	screw on	self-locking	-	steel	without locking washer
27878-02-02106122	B	screw on	self-locking	-	steel	without locking washer
27878-02-02116112	B	screw on	self-locking	-	steel	with locking washer

Overview of items

Order No.	Form	Door part fastening	Pin version	Frame part version	Pin material	Version 2
27878-02-02116122	B	screw on	self-locking	-	steel	with locking washer
27878-02-02206113	B	-	self-locking	-	steel	without locking washer
27878-02-02206123	B	-	self-locking	-	steel	without locking washer
27878-02-02216113	B	-	self-locking	-	steel	with locking washer
27878-02-02216123	B	-	self-locking	-	steel	with locking washer
27878-02-12106313	B	-	self-locking	-	Stainless steel 1.4301	without locking washer
27878-02-12116313	B	-	self-locking	-	Stainless steel 1.4301	with locking washer
27878-02-12206323	B	-	self-locking	-	Stainless steel 1.4301	without locking washer
27878-02-12216323	B	-	self-locking	-	Stainless steel 1.4301	with locking washer

Order No.	Main material	Surface finish body	B	B1	B2	B3	B4	B5	B6	B7	D	D1	H	H1	H2	H3	L	L1	L2	L3	L4	L5	S
27878-02-01202112	steel	untreated	7,8	28	6	23	12	26	3	19,9	6	-	108	90	25	50,5	10,5	17,1	-	17	21	4	2,5-2,75
27878-02-01203112	steel	untreated	7,8	28	6	23	12	26	3	19,9	6	-	108	90	25	50,5	10,5	17,1	-	17	21	4	2,5-2,75
27878-02-01204112	steel	untreated	7,8	28	6	23	12	26	3	19,9	6	-	108	90	25	50,5	10,5	17,1	-	17	21	4	2,5-2,75
27878-02-01212112	steel	untreated	7,8	28	6	23	12	26	3	19,9	6	-	108	90	25	50,5	10,5	17,1	-	17	21	4	2,5-2,75
27878-02-01213112	steel	untreated	7,8	28	6	23	12	26	3	19,9	6	-	108	90	25	50,5	10,5	17,1	-	17	21	4	2,5-2,75
27878-02-01214112	steel	untreated	7,8	28	6	23	12	26	3	19,9	6	-	108	90	25	50,5	10,5	17,1	-	17	21	4	2,5-2,75
27878-02-01212122	steel	untreated	7,8	28	6	23	12	26	3	19,9	6	M6	108	90	25	50,5	10,5	17,1	12	17	21	4	2,5-2,75
27878-02-01213122	steel	untreated	7,8	28	6	23	12	26	3	19,9	6	M6	108	90	25	50,5	10,5	17,1	12	17	21	4	2,5-2,75
27878-02-01214122	steel	untreated	7,8	28	6	23	12	26	3	19,9	6	M6	108	90	25	50,5	10,5	17,1	12	17	21	4	2,5-2,75
27878-02-01102111	steel	electro zinc-plated	7,8	28	6	23	12	26	3	19,9	6	-	108	90	25	50,5	10,5	17,1	-	17	21	4	2,5-2,75
27878-02-01103111	steel	electro zinc-plated	7,8	28	6	23	12	26	3	19,9	6	-	108	90	25	50,5	10,5	17,1	-	17	21	4	2,5-2,75
27878-02-01104111	steel	electro zinc-plated	7,8	28	6	23	12	26	3	19,9	6	-	108	90	25	50,5	10,5	17,1	-	17	21	4	2,5-2,75
27878-02-01112111	steel	electro zinc-plated	7,8	28	6	23	12	26	3	19,9	6	-	108	90	25	50,5	10,5	17,1	-	17	21	4	2,5-2,75
27878-02-01113111	steel	electro zinc-plated	7,8	28	6	23	12	26	3	19,9	6	-	108	90	25	50,5	10,5	17,1	-	17	21	4	2,5-2,75
27878-02-01114111	steel	electro zinc-plated	7,8	28	6	23	12	26	3	19,9	6	-	108	90	25	50,5	10,5	17,1	-	17	21	4	2,5-2,75
27878-02-01112121	steel	electro zinc-plated	7,8	28	6	23	12	26	3	19,9	6	M6	108	90	25	50,5	10,5	17,1	12	17	21	4	2,5-2,75
27878-02-01113121	steel	electro zinc-plated	7,8	28	6	23	12	26	3	19,9	6	M6	108	90	25	50,5	10,5	17,1	12	17	21	4	2,5-2,75
27878-02-01114121	steel	electro zinc-plated	7,8	28	6	23	12	26	3	19,9	6	M6	108	90	25	50,5	10,5	17,1	12	17	21	4	2,5-2,75
27878-02-11202313	stainless steel A2	bright	7,8	28	6	23	12	26	3	19,9	6	-	108	90	25	50,5	10,5	17,1	-	17	21	4	2,5-2,75
27878-02-11203213	stainless steel A2	bright	7,8	28	6	23	12	26	3	19,9	6	-	108	90	25	50,5	10,5	17,1	-	17	21	4	2,5-2,75
27878-02-11204213	stainless steel A2	bright	7,8	28	6	23	12	26	3	19,9	6	-	108	90	25	50,5	10,5	17,1	-	17	21	4	2,5-2,75
27878-02-11112313	stainless steel A2	bright	7,8	28	6	23	12	26	3	19,9	6	-	108	90	25	50,5	10,5	17,1	-	17	21	4	2,5-2,75
27878-02-11113213	stainless steel A2	bright	7,8	28	6	23	12	26	3	19,9	6	-	108	90	25	50,5	10,5	17,1	-	17	21	4	2,5-2,75
27878-02-11114213	stainless steel A2	bright	7,8	28	6	23	12	26	3	19,9	6	-	108	90	25	50,5	10,5	17,1	-	17	21	4	2,5-2,75
27878-02-11212323	stainless steel A2	bright	7,8	28	6	23	12	26	3	19,9	6	M6	108	90	25	50,5	10,5	17,1	12	17	21	4	2,5-2,75
27878-02-11213223	stainless steel A2	bright	7,8	28	6	23	12	26	3	19,9	6	M6	108	90	25	50,5	10,5	17,1	12	17	21	4	2,5-2,75
27878-02-11214223	stainless steel A2	bright	7,8	28	6	23	12	26	3	19,9	6	M6	108	90	25	50,5	10,5	17,1	12	17	21	4	2,5-2,75
27878-02-02106112	steel	electro zinc-plated	7,8	28	6	23	12	26	3	19,9	5	-	108	90	25	51	10,5	17,1	-	17	21	4,1	2,5-2,75
27878-02-02106122	steel	electro zinc-plated	7,8	28	6	23	12	26	3	19,9	5	M6	108	90	25	51	10,5	17,1	12	17	21	4,1	2,5-2,75
27878-02-02116112	steel	electro zinc-plated	7,8	28	6	23	12	26	3	19,9	5	-	108	90	25	51	10,5	17,1	-	17	21	4,1	2,5-2,75
27878-02-02116122	steel	electro zinc-plated	7,8	28	6	23	12	26	3	19,9	5	M6	108	90	25	51	10,5	17,1	12	17	21	4,1	2,5-2,75
27878-02-02206113	steel	untreated	7,8	28	6	23	12	26	3	19,9	5	-	108	90	25	51	10,5	17,1	-	17	21	4,1	2,5-2,75
27878-02-02206123	steel	untreated	7,8	28	6	23	12	26	3	19,9	5	M6	108	90	25	51	10,5	17,1	12	17	21	4,1	2,5-2,75
27878-02-02216113	steel	untreated	7,8	28	6	23	12	26	3	19,9	5	-	108	90	25	51	10,5	17,1	-	17	21	4,1	2,5-2,75
27878-02-02216123	steel	untreated	7,8	28	6	23	12	26	3	19,9	5	M6	108	90	25	51	10,5	17,1	12	17	21	4,1	2,5-2,75
27878-02-12106313	stainless steel A2	bright	7,8	28	6	23	12	26	3	19,9	5	-	108	90	25	51	10,5	17,1	-	17	21	4,1	2,5-2,75
27878-02-12116313	stainless steel A2	bright	7,8	28	6	23	12	26	3	19,9	5	-	108	90	25	51	10,5	17,1	-	17	21	4,1	2,5-2,75
27878-02-12206323	stainless steel A2	bright	7,8	28	6	23	12	26	3	19,9	5	M6	108	90	25	51	10,5	17,1	12	17	21	4,1	2,5-2,75
27878-02-12216323	stainless steel A2	bright	7,8	28	6	23	12	26	3	19,9	5	M6	108	90	25	51	10,5	17,1	12	17	21	4,1	2,5-2,75