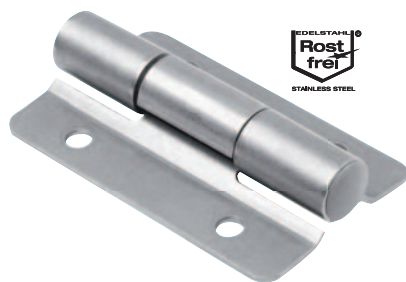


Hinges, stainless steel



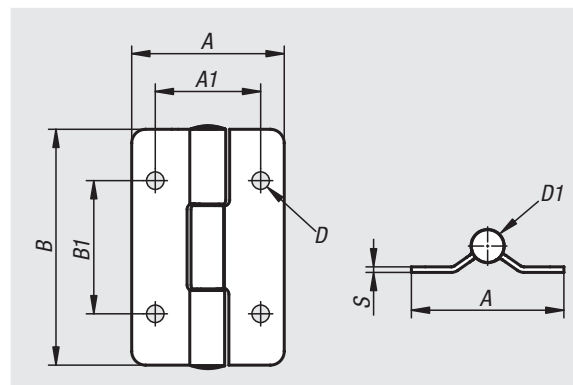
Material:
Stainless steel 1.4310.

Version:
Bright.

Sample order:
nlm 27877-02-558508

Note:
Opening angle is max. 270°.

Accessories:
Hinges, stainless steel with preset friction 27860-01



Order No.	A	A1	B	B1	D	D1	S
27877-02-558512	55	38	85	48	6,3	12	2
27877-02-558516	55	38	85	48	6,3	16	2