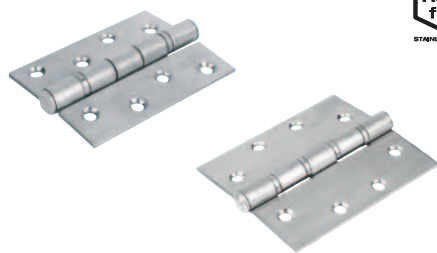


Butt hinges

stainless steel



Material:

Stainless steel 1.4301.

Version:

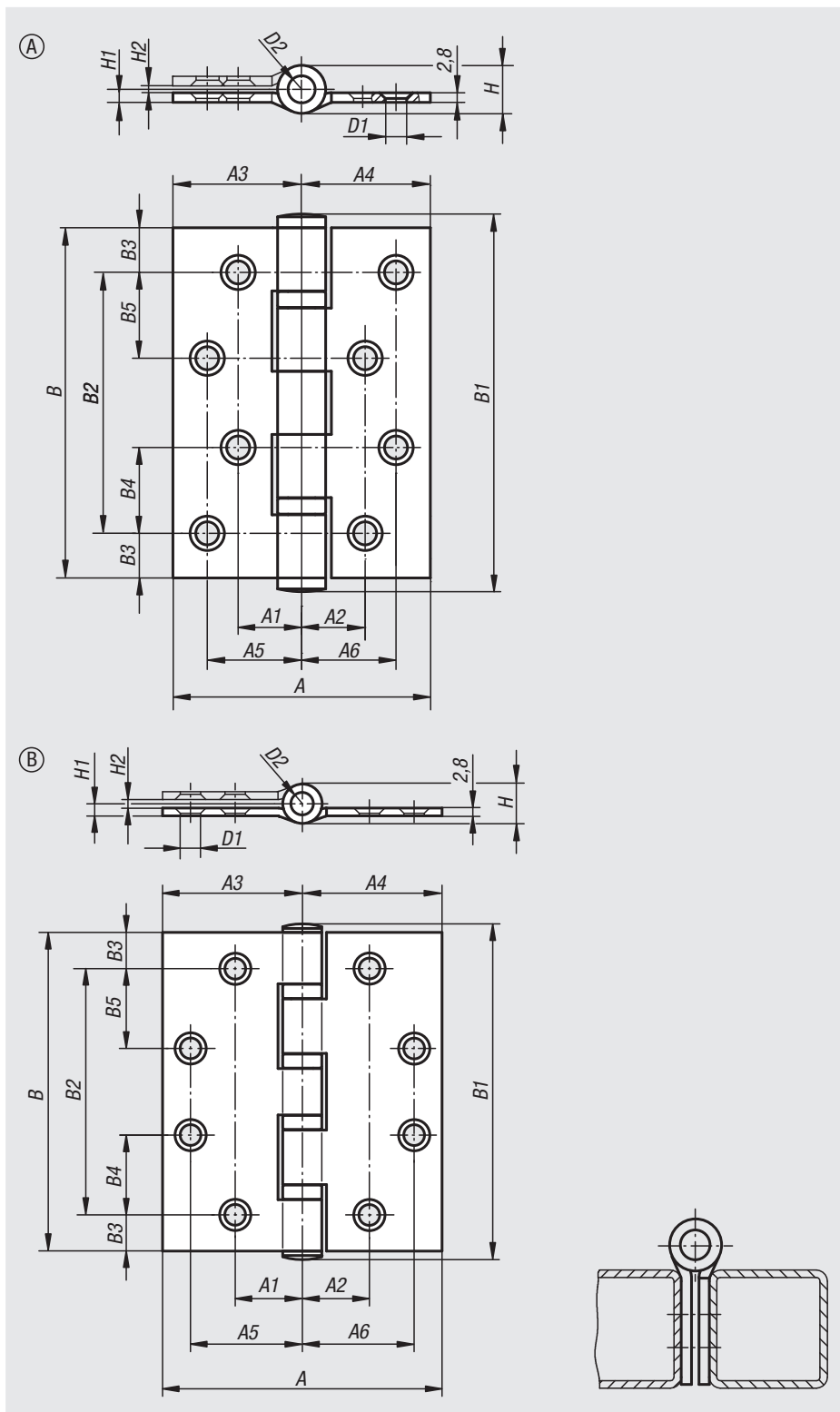
Matt polished.

Sample order:

nIm 27877-01-06371919

Note:

Butt hinge for inwards opening doors.
The opening angle is max. 270°.



Order No.	Form	A	A1	A2	A3	A4	A5	A6	B	B1	B2	B3	B4	B5	D1	D2	H	H1	H2	Load capacity N
27877-01-06371919	A	75	18,5	18,5	37,5	37,5	27,5	27,5	102	110	76	13	25	25	6,7	8	14	3,8	2	8000
27877-01-07502424	B	100	24	24	50	50	40	40	114	120	88	13	28,5	28,5	7,3	8	14	4,3	3	8000