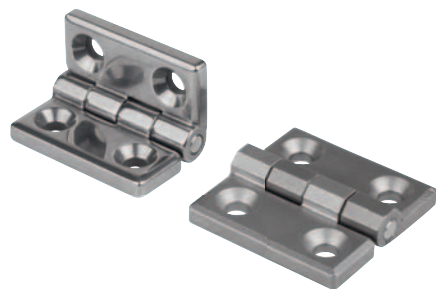


Hinges

stainless steel



Material:

Stainless steel 1.4401.

Version:

Polished or blasted.

Sample order:

nIm 27876-052013131

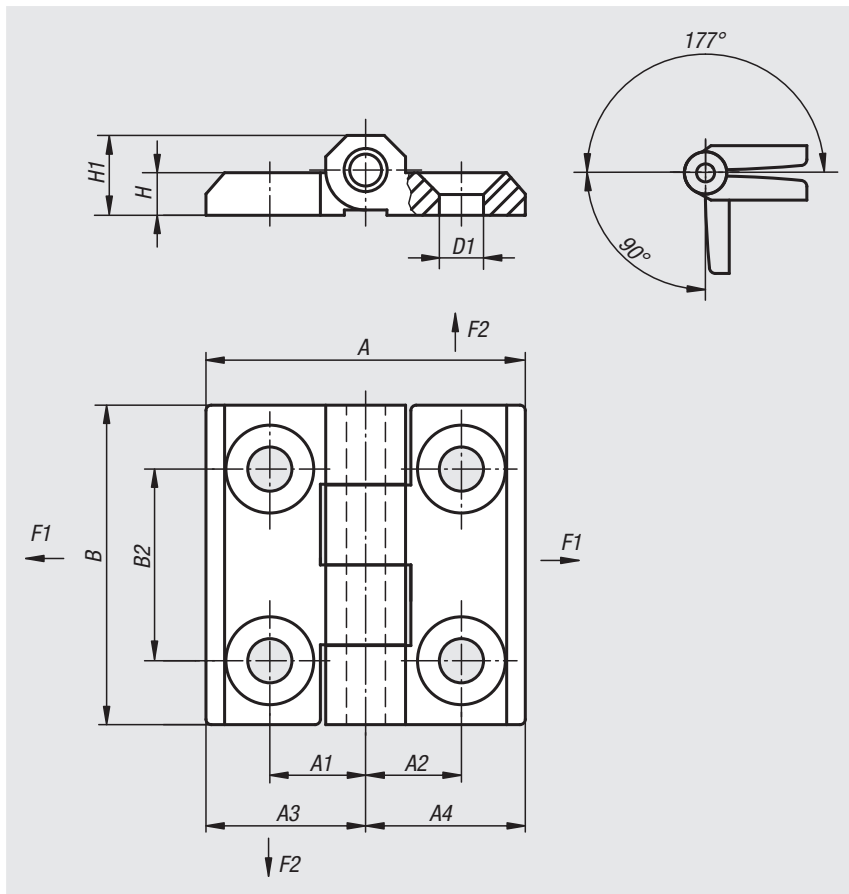
Note:

Hinges with fixed pin and countersunk holes.

The loading values given for the hinges are non-binding reference values without consideration of safety factors and exclude any liability. The values given are for information purposes only and do not constitute a legally binding assurance of properties.

The load values have been determined under laboratory conditions. Each user must determine individually whether the hinge is suitable for the respective application.

Different materials onto which the hinges are installed and the type of mounting, weather conditions and wear can influence the determined values.



Order No.	Surface finish body	A	A1	A2	A3	A4	B	B2	D1	H	H1	F1 max. kN	F2 max. kN
27876-052013130	polished	39	12,5	12,5	19,5	19,5	39	25	5,5	4	9	0,8	0,6
27876-052013131	blasted	39	12,5	12,5	19,5	19,5	39	25	5,5	4	9	0,8	0,6
27876-062515150	polished	50	15	15	25	25	50	30	6,5	6	12	1,1	0,9
27876-062515151	blasted	50	15	15	25	25	50	30	6,5	6	12	1,1	0,9
27876-083018180	polished	60	18	18	30	30	60	36	8,5	8	15	2	1,5
27876-083018181	blasted	60	18	18	30	30	60	36	8,5	8	15	2	1,5