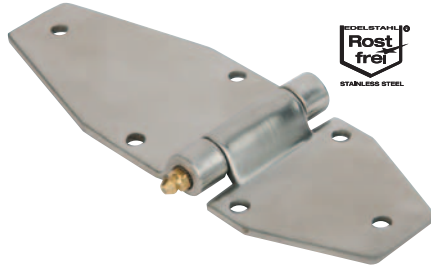


Strap hinges

stainless steel with grease nipple



Material:

Stainless steel 1.4301.

Version:

Matt polished.

Sample order:

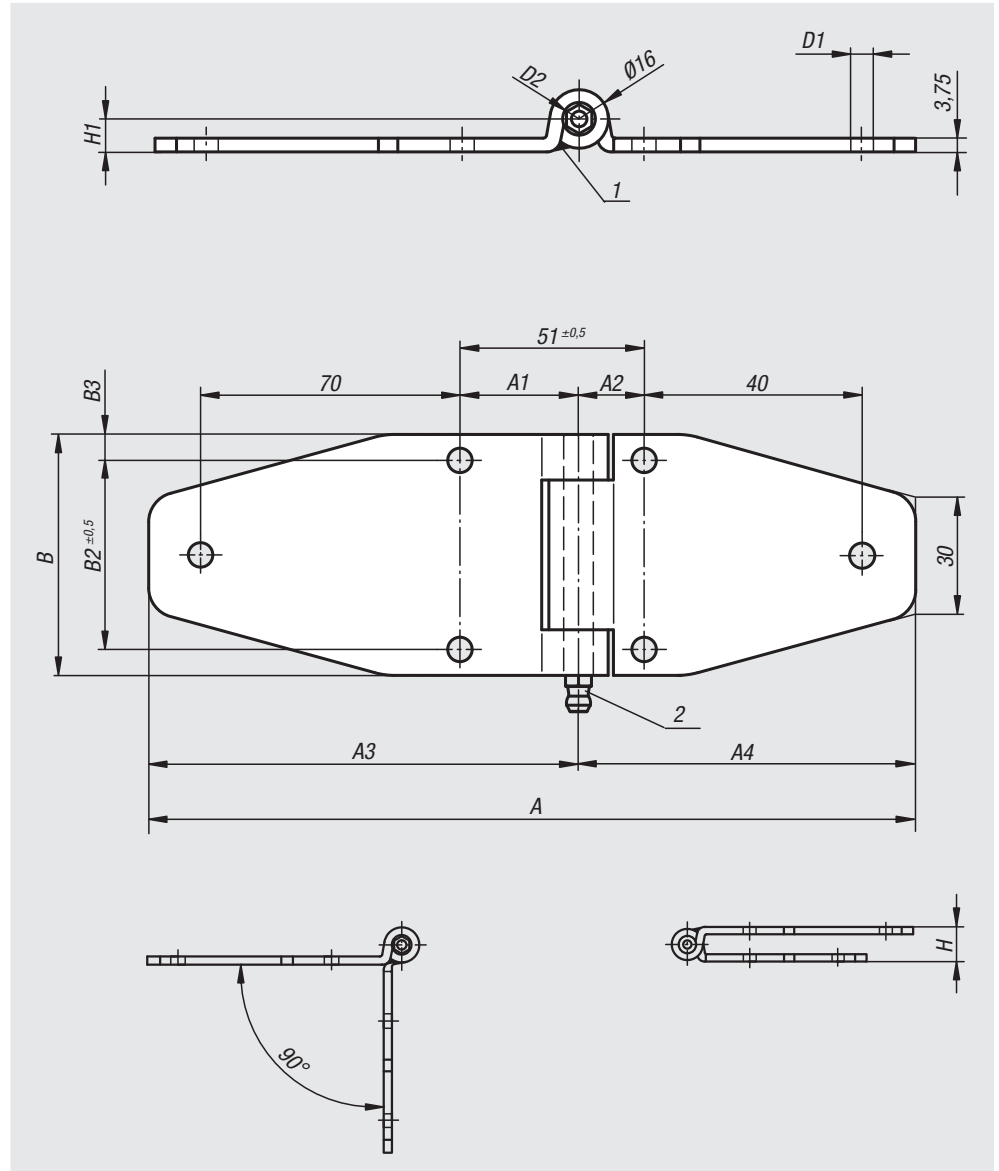
nln 27876-05-06701161932

Note:

Strap hinge for inwards opening doors.
The opening angle is max. 270°.

Drawing reference:

- 1) Rolled ends of long leaf welded
- 2) Grease nipple



Order No.	A	A1	A2	A3	A4	B	B2	B3	D1	D2	H	H1
27876-05-06701161932	186	32	19	116	70	65	51	7	6,6	8	18	9