

Single leaf hinges

adjustable, stainless steel



Material:

Stainless steel 1.4571.

Version:

Satin finished.

Sample order:

nIm 27876-01-06884617

Note:

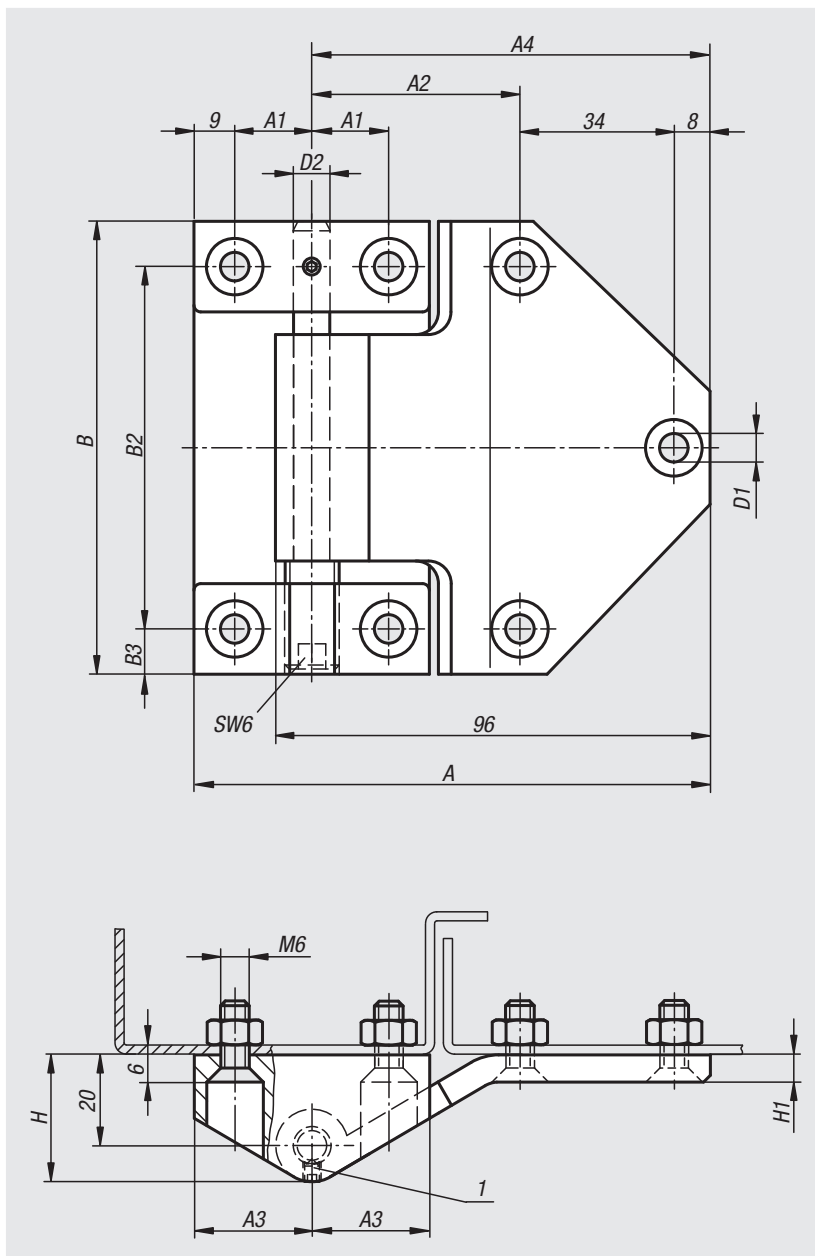
Single leaf hinge for inwards opening doors, screws on from outside. A screw on the hinge pin allows height adjustment of ± 4 mm.

The addition of titanium in stainless steel 1.4571 increases the corrosion resistance.

The opening angle is max. 180°.

Drawing reference:

1) grub screw M4, DIN 916



Order No.	A	A1	A2	A3	A4	B	B2	B3	D1	D2	H	H1
27876-01-06884617	114	17	46	26	88	100	80	10	6,3	8	28	6