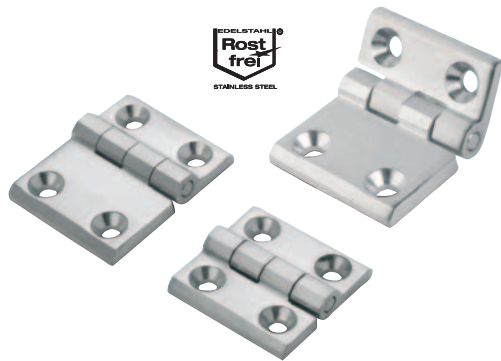


Hinges

stainless steel



Material:

Stainless steel 1.4401.

Version:

Satin finished.

Sample order:

nIm 27875-90-05201313

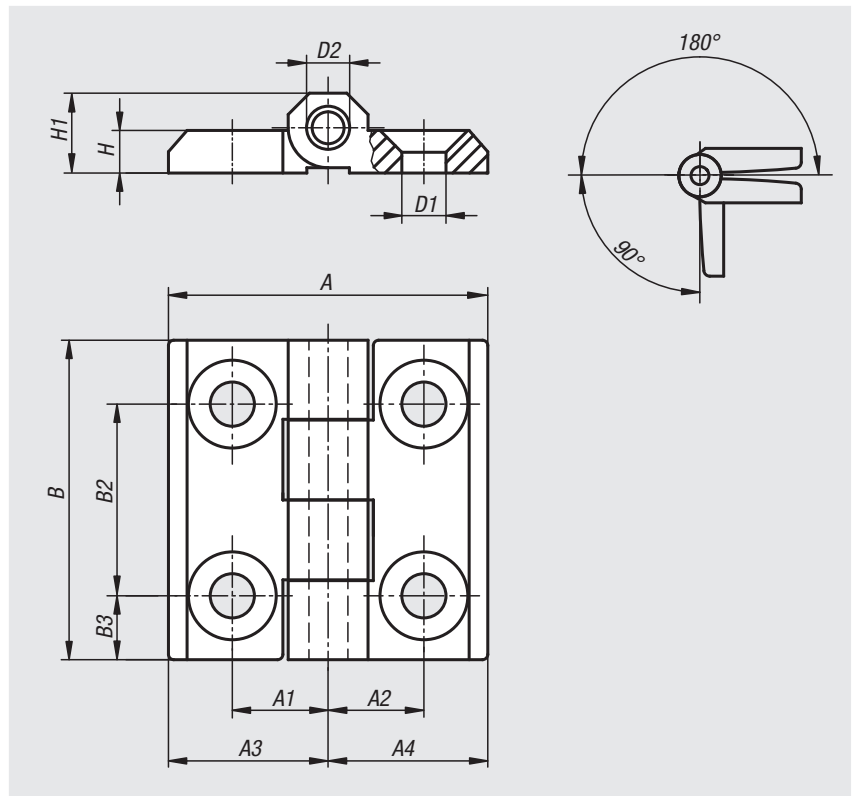
Note:

Hinge for extreme loads.

For right or left use.

Opening angle 270°.

Fastening with countersunk screws i.e. per DIN 7991.



Order No.	A	A1	A2	A3	A4	B	B2	B3	D1	D2	H	H1	Load capacity N
27875-90-05201313	40	12,5	12,5	20	20	40	25	7,5	5,2	4	5	9	2500
27875-90-06251515	50	15	15	25	25	50	30	10	6,2	6	6	11,5	5000
27875-90-08301818	60	18	18	30	30	60	36	12	8,3	8	8	15	8000
27875-90-06381528	63	28	15	38	25	50	30	10	6,5	6	6	11,5	5000
27875-90-06382828	76	28	28	38	38	50	30	10	6,5	6	6	11,5	5000