

Hinges lift-off

stainless steel



Material:

Hinge stainless steel 1.4401.
Pin stainless steel 1.4104.

Version:

High-gloss polished.

Sample order:

nIm 27870-01-06261515

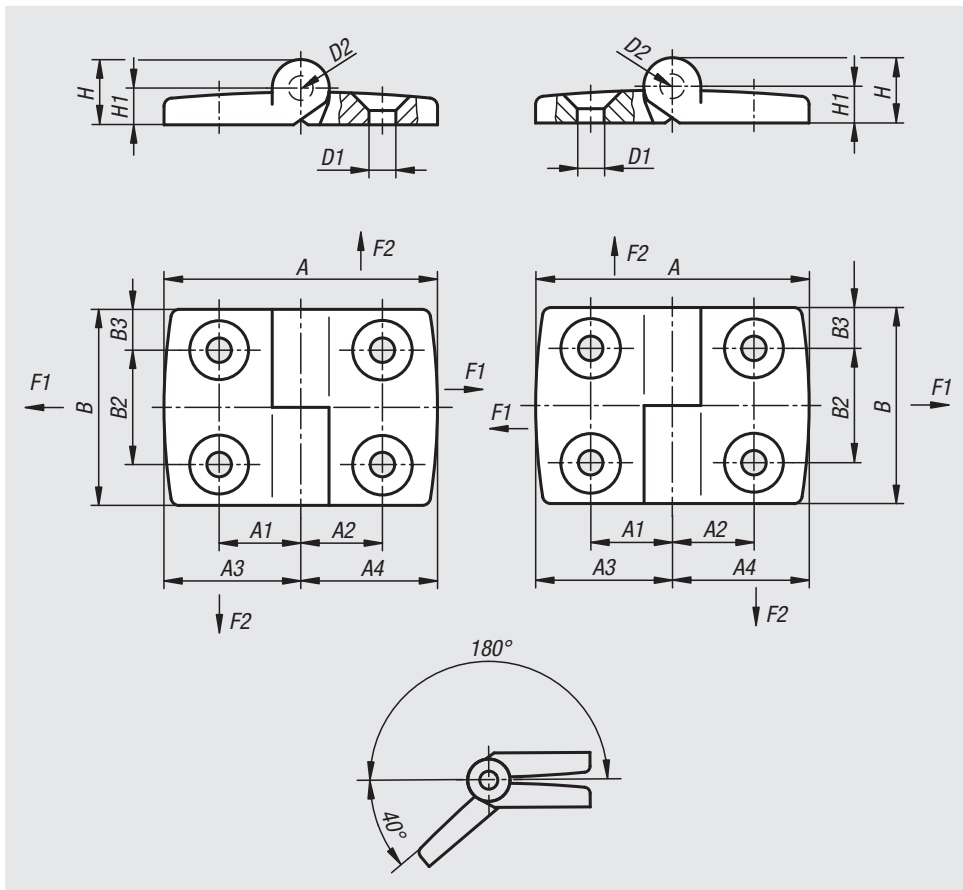
Note:

Hinge for panel elements and aluminium profiles, lift-off. Pin end closed. Screws countersunk, thus minimum dirt accumulation.

The loading values given for the hinges are non-binding reference values without consideration of safety factors and exclude any liability. The values given are for information purposes only and do not constitute a legally binding assurance of properties.

The load values have been determined under laboratory conditions. Each user must determine individually whether the hinge is suitable for the respective application.

Different materials onto which the hinges are installed and the type of mounting, weather conditions and wear can influence the determined values.



Order No. left	Order No. right	A	A1	A2	A3	A4	B	B2	B3	D1	D2	H	H1	F1 max. kN	F2 max. kN
27870-01-16261515	27870-01-06261515	52	15	15	26	26	48	28	10	6,6	6	16	9	0,9	0,625
27870-01-16301818	27870-01-06301818	59	17,5	17,5	29,5	29,5	48	28	10	6,6	6	16	9	1	0,71
27870-01-16392323	27870-01-06392323	77	22,5	22,5	38,5	38,5	48	28	10	6,6	6	16	9	1,2	0,5
27870-01-16442525	27870-01-06442525	87	25	25	43,5	43,5	48	28	10	6,6	6	16	9	1,2	0,45
27870-01-16583333	27870-01-06583333	115	32,5	32,5	57,5	57,5	48	28	10	6,6	6	16	9	1,2	0,35

20000
21000
22000
23000
24000
26000
27000
28000
29000
31000
32000
33000