

Hinges

aluminium, with detent



Material:

Aluminium 6060 T5.
Screws and nuts stainless steel.
Washers PA.

Version:

Black anodised

Sample order:

nIm 27862-556711

Note:

These hinges have a detent mechanism that indexes every 30° from 0° to 270° and holds doors or hatches open or tightly closed. The detent torque is not adjustable.

The hinges have a more than 30000 cycle service life.
Torque tolerance $\pm 20\%$

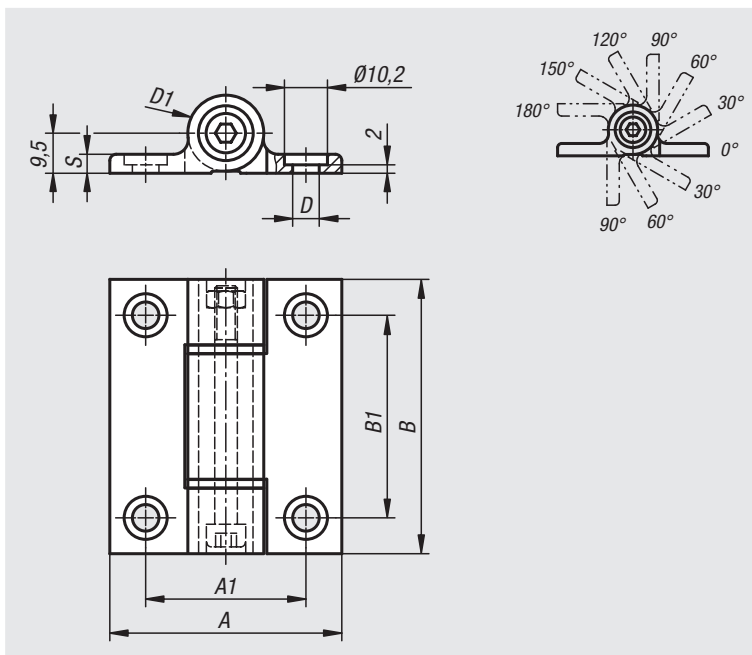
Fastened using DIN 912/EN ISO 4762 socket head screws.

Temperature range:

From -30°C to +70°C

Accessories:

Socket head screws with hexagon socket DIN 912/EN ISO 4762.



Order No.	A	A1	B	B1	D	D1	S	Max. torque Nm
27862-556711	55	38	67	48	6,3	18	4,5	1,8
27862-556712	55	38	67	48	6,3	18	4,5	2,5
27862-556713	55	38	67	48	6,3	18	4,5	3,2
27862-556715	55	38	67	48	6,3	18	4,5	5