

# Hinges

aluminium, with detent



**Material:**

Aluminium 6060 T5.  
Screws and nuts stainless steel.  
Washers PA.

**Version:**

Black anodised

**Sample order:**

nIm 27861-35301

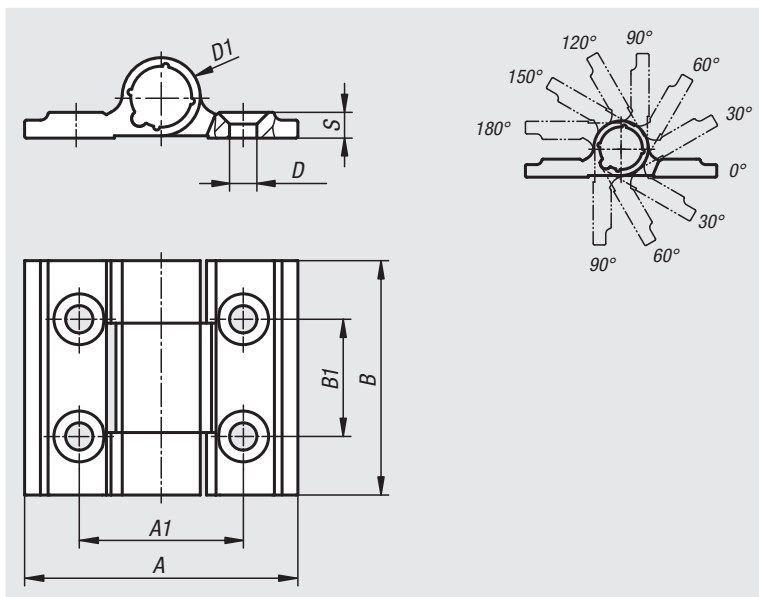
**Note:**

These hinges have a detent mechanism that indexes every 30° from 0° to 270° and holds doors or hatches open or tightly closed. The detent torque is not adjustable. Torque tolerance ±20%

Fastened using DIN 7991 countersunk screws.

**Temperature range:**

From -30°C to +70°C



Order No.	A	A1	B	B1	D	D1	S	Max. torque Nm
27861-35301	35	21	30	15	3,5	10	3,3	0,3