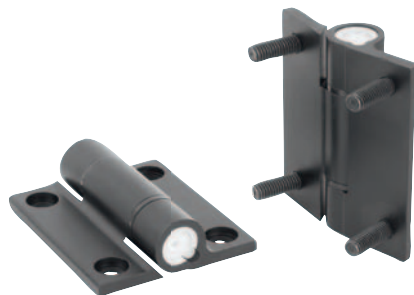


Hinges

aluminium, with adjustable friction



Material:

- Aluminium 6060 T5.
- Sleeve POM.
- Set screw stainless steel.
- Washers PA.
- Fastening screws steel.

Version:

- Black anodised.
- Fastening screws electro zinc-plated.

Sample order:

nIm 27860-55651

Note:

These friction hinges allow doors to remain open at any desired angle. A set screw allows the amount of friction to be infinitely adjusted between 0–5 Nm. Opening angle 225°.

Max. tensile strength: 6000 N

Max. shear strength: 5000 N

Temperature range:

From -20°C to +80°C

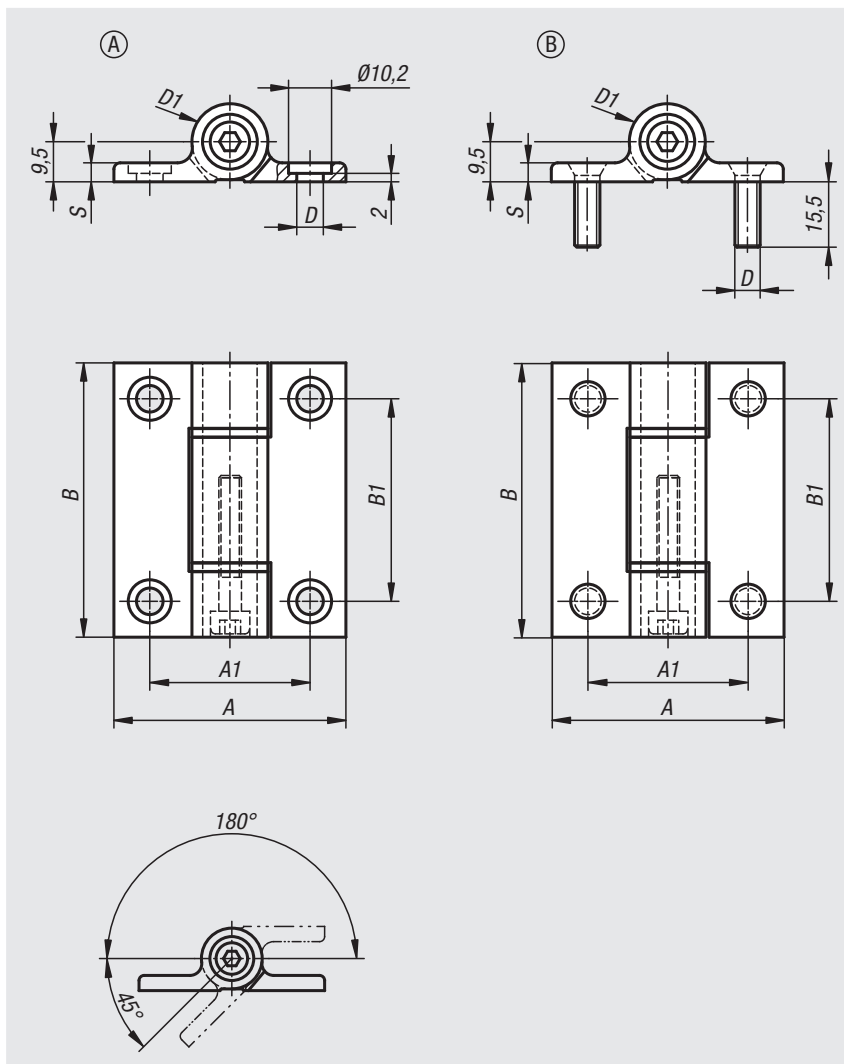
Accessories:

Socket head screws with hexagon socket DIN 912/EN ISO 4762.

Drawing reference:

Form A: fastened using DIN 912/EN ISO 4762 socket head screws.

Form B: fastened using threaded pins.



Order No.	Form	A	A1	B	B1	D	D1	S
27860-55651	A	55	38	65	48	6,3	18	4,5
27860-556511	B	55	38	65	48	M6	18	4,5

20000 21000 22000 23000 24000 26000 27000 28000 29000 31000 32000 33000