

Hinges

aluminium, with adjustable friction


Material:

Aluminium 6060 T5.
End caps PA 6.6.
Washers POM.

Version:

Black anodised

Sample order:

nln 27859-35301

Note:

These friction hinges allow doors to remain open at any desired angle. A set screw allows the amount of friction to be infinitely adjusted between 0–1 Nm. Opening angle 270°.

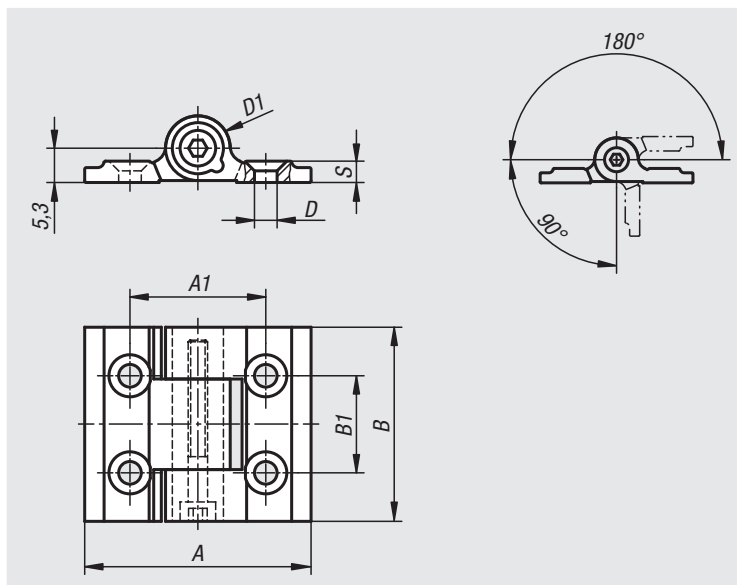
Max. tensile strength: 2240 N

Max. shear strength: 1050 N

Fastened using DIN 7991 countersunk screws.

Temperature range:

From -20°C to +80°C



Order No.	A	A1	B	B1	D	D1	S
27859-35301	35	21	30	15	3,5	10	3,3