

Hinges

plastic, with adjustable friction



Material:

Hinge and caps, fibreglass reinforced PA thermoplastic.

Metal parts stainless steel.

Version:

Hinge and caps black.

Metal parts bright.

Sample order:

nIm 27858-56181800

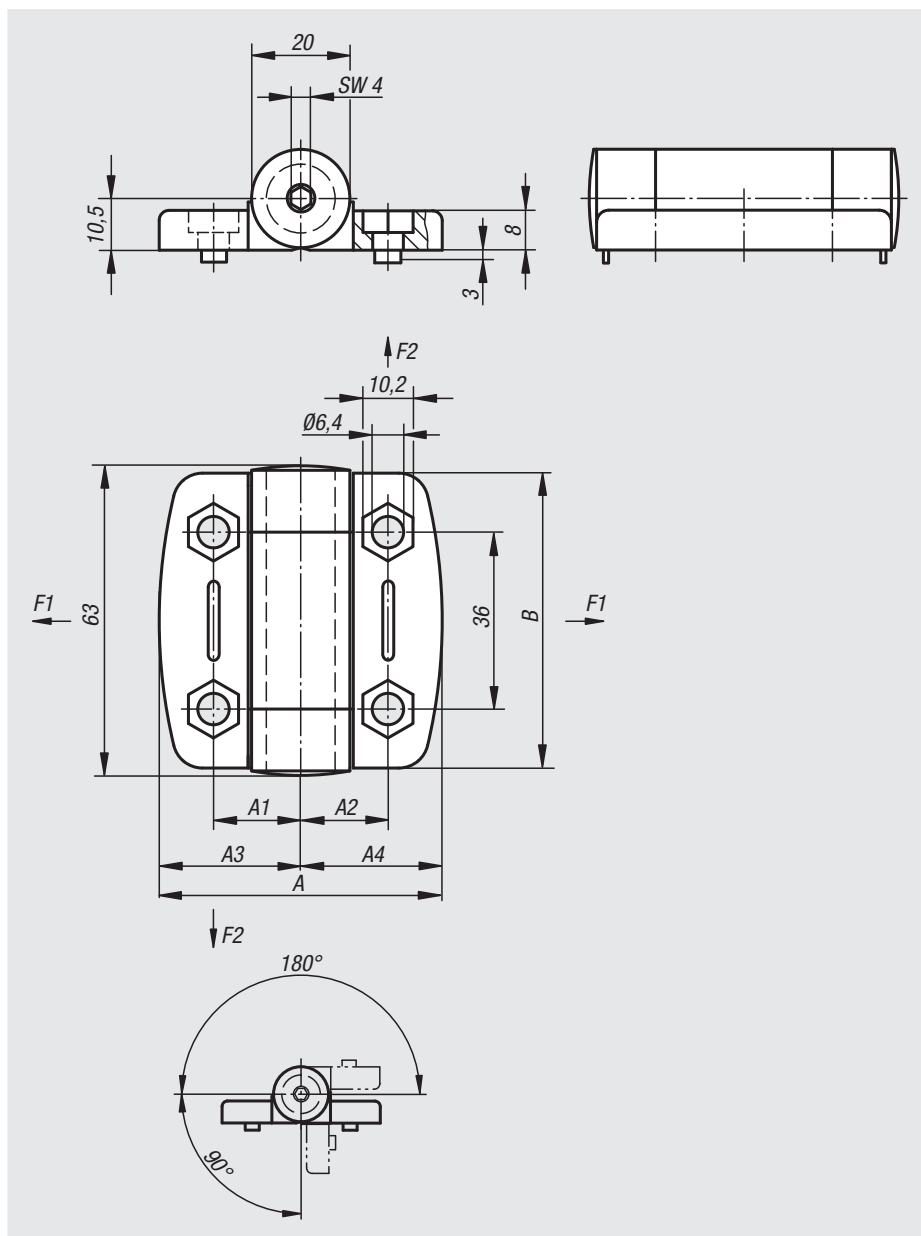
Note:

These friction hinges enable doors or lids to remain open in any position. A set screw allows the amount of friction to be infinitely adjusted between 0-5 Nm. The hinges are available with or without guide tabs for aluminium profile slots.

The loading values given for the hinges are non-binding reference values without consideration of safety factors and exclude any liability. The values given are for information purposes only and do not constitute a legally binding assurance of properties.

The load values have been determined under laboratory conditions. Each user must determine individually whether the hinge is suitable for the respective application.

Different materials onto which the hinges are installed and the type of mounting, weather conditions and wear can influence the determined values.



Order No.	A	A1	A2	A3	A4	B	Guide tabs for slot	F1 max. kN	F2 max. kN
27858-56181800	54	17,75	17,75	27	27	56	-	0,4	0,325
27858-56181806	54	17,75	17,75	27	27	56	6	0,4	0,325
27858-56181808	54	17,75	17,75	27	27	56	8	0,4	0,325
27858-56232300	73,5	22,75	22,75	36,75	36,75	56	-	0,6	0,425
27858-56232308	73,5	22,75	22,75	36,75	36,75	56	8	0,6	0,425
27858-56232310	73,5	22,75	22,75	36,75	36,75	56	10	0,6	0,425