

# Hinges

plastic with fastening holes


**Material:**

Fibreglass reinforced thermoplastic.  
Hinge pin steel.

**Version:**

Hinge black.  
Hinge pin electro zinc-plated.

**Sample order:**

nIm 27855-004161010

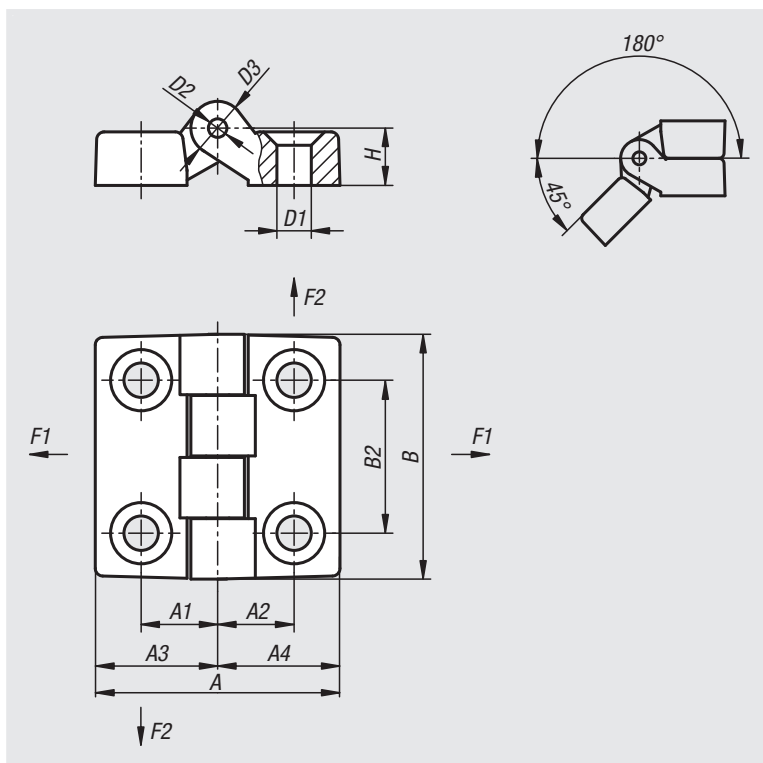
**Note:**

Hinges with fastening holes for DIN 7991/UNI 5933 countersunk screws.

The loading values given for the hinges are non-binding reference values without consideration of safety factors and exclude any liability. The values given are for information purposes only and do not constitute a legally binding assurance of properties.

The load values have been determined under laboratory conditions. Each user must determine individually whether the hinge is suitable for the respective application.

Different materials onto which the hinges are installed and the type of mounting, weather conditions and wear can influence the determined values.



Order No.	A	A1	A2	A3	A4	B	B2	D1	D2	D3	H	F1 N	F2 N
27855-004161010	32	10	10	16	16	32	20	4,5	3	7	7	1440	490
27855-006241515	48	15	15	24	24	48	30	6,5	5	10	10,5	1960	1470
27855-006322020	64	20	20	32	32	64	40	6,5	5	12	13	2990	1520
27855-008483232	96	31,5	31,5	48	48	96	60	8,5	8	16	16	4300	1810
27855-010483232	96	31,5	31,5	48	48	96	60	10,5	8	16	16	4300	1810