

Hinges

plastic, with elongated holes



Material:

Fibreglass reinforced thermoplastic.
Hinge pin stainless steel.

Version:

Hinge black. Pin bright.

Sample order:

nlm 27854-402020

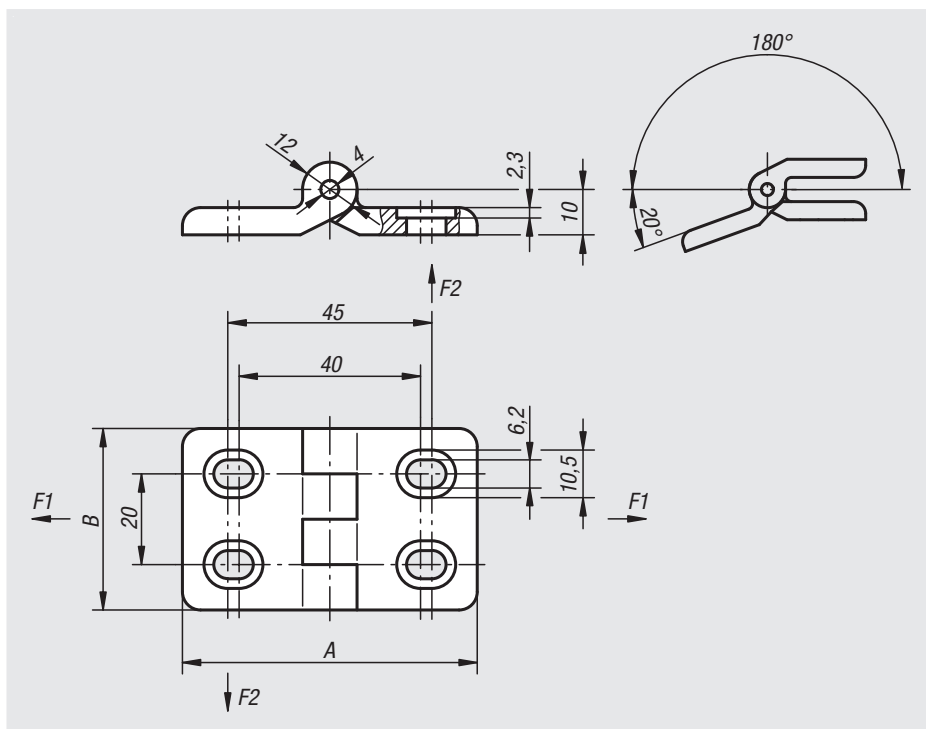
Note:

Elongated holes enable easy horizontal adjustment.

The loading values given for the hinges are non-binding reference values without consideration of safety factors and exclude any liability. The values given are for information purposes only and do not constitute a legally binding assurance of properties.

The load values have been determined under laboratory conditions. Each user must determine individually whether the hinge is suitable for the respective application.

Different materials onto which the hinges are installed and the type of mounting, weather conditions and wear can influence the determined values.



Order No.	A	B	F1 max. kN	F2 max. kN
27854-402020	65	40	0,5	0,3