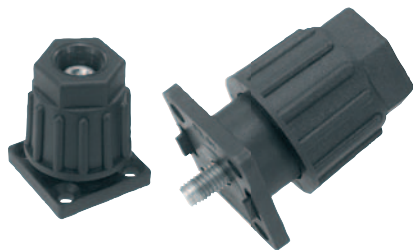


Levelling feet

for aluminium profiles



Material:

Body fibreglass reinforced thermoplastic.
Spindle and washer steel.

Version:

Body black.
Spindle and washer electro zinc-plated.

Sample order:

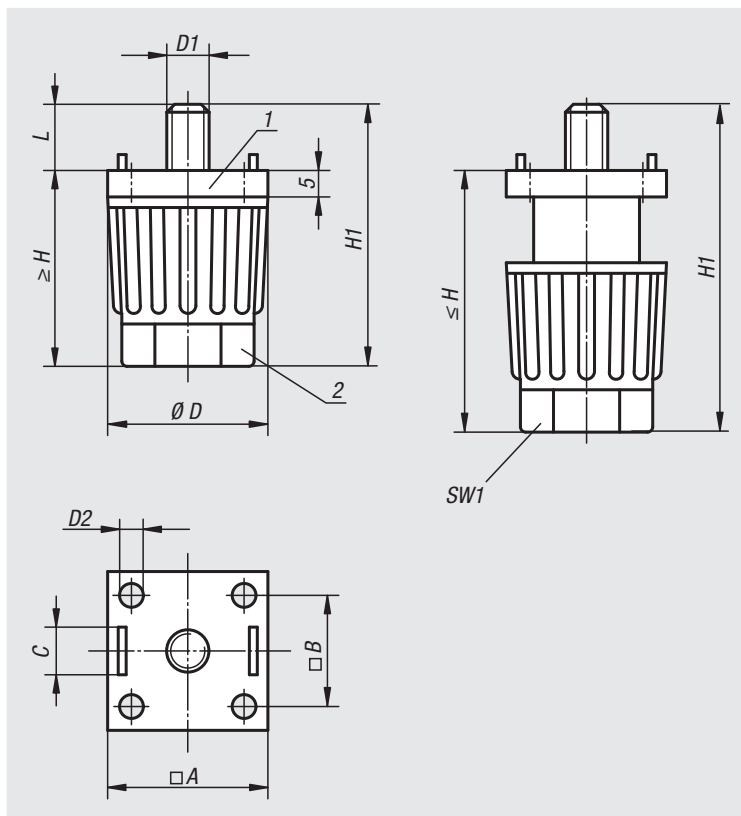
nIm 27840-300806

Note:

These levelling feet are suitable for tables and lighter installations. The foot height is adjusted by turning the base nut by hand or spanner. The pins on the top flange centre the foot and prevent it turning. These levelling feet can be attached to aluminium profiles using T-slot nuts, no need for drilling.

Drawing reference:

- 1) support flange
- 2) nut



Side mounted in profile keyway
no drilling required when using a T-slot nut

Profile end mounted



Order No.	A for aluminium profile	B	C for slot	D	D1	D2 for countersunk screw	H	H1	L	SW1	Load rating max. kN (static load only)
27840-300806	30	20,5	8	30	M6	M4	35-50	44-59	9	22	1,5
27840-300808	30	20,5	8	30	M8	M4	35-50	44-59	9	22	1,5
27840-301006	30	20,5	10	30	M6	M4	35-50	44-59	9	22	1,5
27840-400808	40	28	8	40	M8	M6	45-65	54-74	9	30	1,5
27840-401006	40	28	10	40	M6	M6	45-65	54-74	9	30	1,5
27840-401008	40	28	10	40	M8	M6	45-65	54-74	9	30	1,5