

Item description/product images



Description

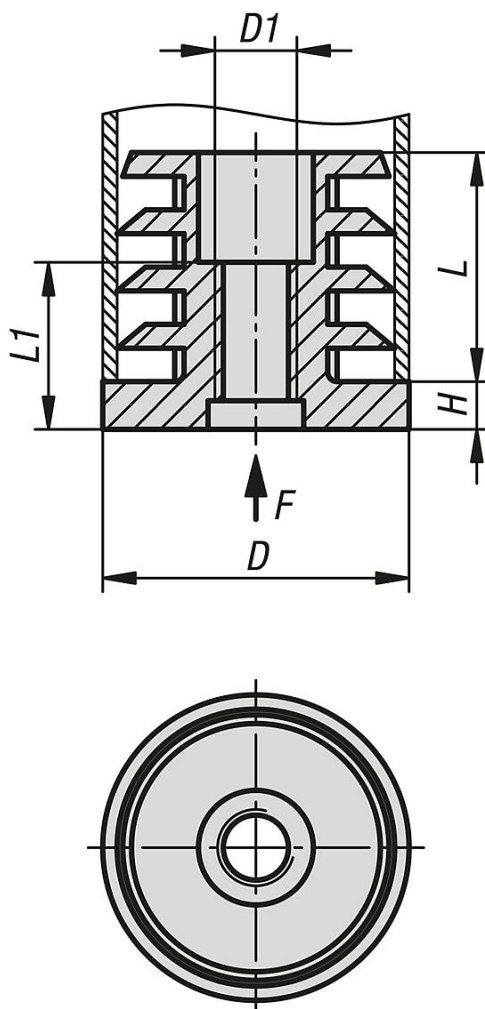
Material:
Body polyamide.

Version:
Body black.

Note:
Threaded round inserts for attaching levelling feet, swivel feet and castors to round tubes.

Assembly:
They can be pushed in by hand or tapped in with a plastic hammer.

Drawings



Overview of items

Order No.	D	D1	H	L	L1	Load rating max. kN (static load only)	Suitable for
27836-05-0022081520	22	M8	5	16,5	14,5	2	Ø22x1,5-2

Overview of items

Order No.	D	D1	H	L	L1	Load rating max. kN (static load only)	Suitable for
27836-05-0025081520	25	M8	5	16,5	14,5	2	Ø25x1,5-2
27836-05-0028081520	28	M8	5	16,5	14,5	2	Ø28x1,5-2
27836-05-0030081520	30	M8	5	16,5	14,5	2	Ø30x1,5-2
27836-05-0032081520	32	M8	5	24	14,5	2	Ø32x1,5-2
27836-05-0035081520	35	M8	5	24	14,5	2	Ø35x1,5-2
27836-05-0038081520	38	M8	5	24	14,5	2	Ø38x1,5-2
27836-05-0040081520	40	M8	5	24	14,5	2	Ø40x1,5-2
27836-05-0042081520	42	M8	5	24	14,5	2	Ø42x1,5-2
27836-05-0045081520	45	M8	5	24	14,5	2	Ø45x1,5-2
27836-05-0050081520	50	M8	5	24	14,5	2	Ø50x1,5-2
27836-05-0051081016	50,8	M8	5	24	14,5	2	Ø50.8x1-1.6
27836-05-0022101520	22	M10	5	16,5	14,5	2	Ø22x1,5-2
27836-05-0025101520	25	M10	5	16,5	14,5	2	Ø25x1,5-2
27836-05-0028101520	28	M10	5	16,5	14,5	2	Ø28x1,5-2
27836-05-0030101520	30	M10	5	16,5	14,5	2	Ø30x1,5-2
27836-05-0032101520	32	M10	5	24	14,5	2	Ø32x1,5-2
27836-05-0035101520	35	M10	5	24	14,5	2	Ø35x1,5-2
27836-05-0038101520	38	M10	5	24	14,5	2	Ø38x1,5-2
27836-05-0040101520	40	M10	5	24	14,5	2	Ø40x1,5-2
27836-05-0042101520	42	M10	5	24	14,5	2	Ø42x1,5-2
27836-05-0045101520	45	M10	5	24	14,5	2	Ø45x1,5-2
27836-05-0050101520	50	M10	5	24	14,5	2	Ø50x1,5-2
27836-05-0051101016	50,8	M10	5	24	14,5	2	Ø50.8x1-1.6
27836-05-0061100813	60	M10	5	32	17	2	Ø60x0,8-1,25
27836-05-0025121520	25	M12	5	16,5	14,5	2	Ø25x1,5-2
27836-05-0028121520	28	M12	5	16,5	14,5	2	Ø28x1,5-2
27836-05-0030121520	30	M12	5	16,5	14,5	2	Ø30x1,5-2
27836-05-0032121520	32	M12	5	24	14,5	2	Ø32x1,5-2
27836-05-0035121520	35	M12	5	24	14,5	2	Ø35x1,5-2
27836-05-0038121520	38	M12	5	24	14,5	2	Ø38x1,5-2
27836-05-0040121520	40	M12	5	24	14,5	2	Ø40x1,5-2
27836-05-0042121520	42	M12	5	24	14,5	2	Ø42x1,5-2
27836-05-0045121520	45	M12	5	24	14,5	2	Ø45x1,5-2
27836-05-0050121520	50	M12	5	24	14,5	2	Ø50x1,5-2
27836-05-0051121016	50,8	M12	5	24	14,5	2	Ø50.8x1-1.6