

Item description/product images



Description

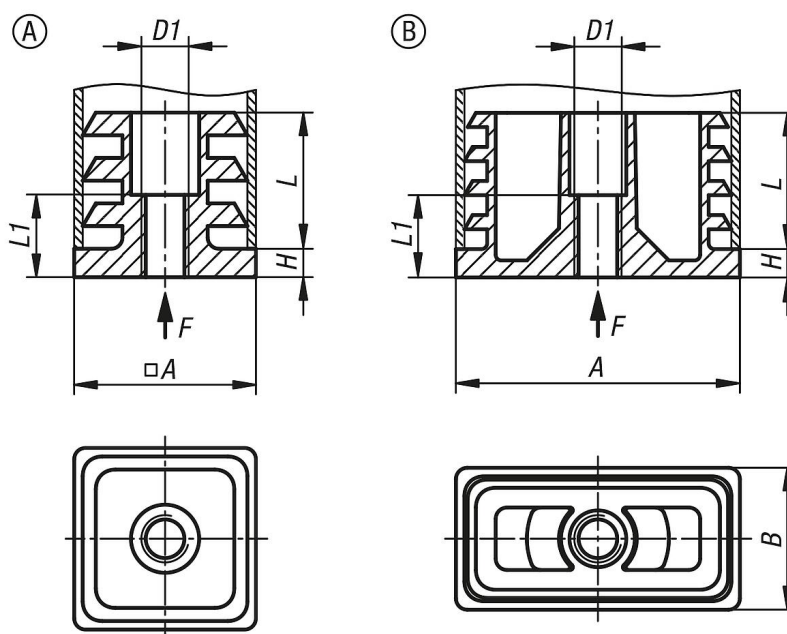
Material:
Body polyamide.

Version:
Body black.

Note:
Threaded round inserts for attaching levelling feet, swivel feet and castors to round tubes.

Assembly:
They can be pushed in by hand or tapped in with a plastic hammer.

Drawings



Overview of items

Order No.	Form	Form definition	A	B	D1	H	L	L1	Load rating max. kN (static load only)	Suitable for
27835-05-2020081520	A	square	20	-	M8	5	16,5	14,5	2	20x20x1,5-2
27835-05-2222081520	A	square	22	-	M8	5	16,5	14,5	2	22x22x1,5-2
27835-05-2525081520	A	square	25	-	M8	5	16,5	14,5	2	25x25x1,5-2
27835-05-3030081520	A	square	30	-	M8	5	16,5	14,5	2	30x30x1,5-2
27835-05-3030082530	A	square	30	-	M8	5	16,5	14,5	2	30x30x2,5-3
27835-05-3232081520	A	square	32	-	M8	5	24	14,5	2	32x32x1,5-2
27835-05-3434081520	A	square	34	-	M8	5	24	14,5	2	34x34x1,5-2
27835-05-3535081520	A	square	35	-	M8	5	24	14,5	2	35x35x1,5-2
27835-05-3838081520	A	square	38	-	M8	5	24	14,5	2	38x38x1,5-2
27835-05-4040081520	A	square	40	-	M8	5	24	14,5	2	40x40x1,5-2
27835-05-4040082530	A	square	40	-	M8	5	24	14,5	2	40x40x2,5-3
27835-05-4545081520	A	square	45	-	M8	5	24	14,5	2	45x45x1,5-2
27835-05-5050081520	A	square	50	-	M8	5	24	14,5	2	50x50x1,5-2
27835-05-5050082530	A	square	50	-	M8	5	24	14,5	2	50x50x2,5-3
27835-05-2020101520	A	square	20	-	M10	5	16,5	14,5	2	20x20x1,5-2
27835-05-2222101520	A	square	22	-	M10	5	16,5	14,5	2	22x22x1,5-2

Overview of items

Order No.	Form	Form definition	A	B	D1	H	L	L1	Load rating max. kN (static load only)	Suitable for
27835-05-2525101520	A	square	25	-	M10	5	16,5	14,5	2	25x25x1,5-2
27835-05-3030101520	A	square	30	-	M10	5	16,5	14,5	2	30x30x1,5-2
27835-05-3030102530	A	square	30	-	M10	5	16,5	14,5	2	30x30x2,5-3
27835-05-3232101520	A	square	32	-	M10	5	24	14,5	2	32x32x1,5-2
27835-05-3434101520	A	square	34	-	M10	5	24	14,5	2	34x34x1,5-2
27835-05-3535101520	A	square	35	-	M10	5	24	14,5	2	35x35x1,5-2
27835-05-3838101520	A	square	38	-	M10	5	24	14,5	2	38x38x1,5-2
27835-05-4040101520	A	square	40	-	M10	5	24	14,5	2	40x40x1,5-2
27835-05-4040102530	A	square	40	-	M10	5	24	14,5	2	40x40x2,5-3
27835-05-4545101520	A	square	45	-	M10	5	24	14,5	2	45x45x1,5-2
27835-05-5050101520	A	square	50	-	M10	5	24	14,5	2	50x50x1,5-2
27835-05-5050102530	A	square	50	-	M10	5	24	14,5	2	50x50x2,5-3
27835-05-2525121520	A	square	25	-	M12	5	16,5	14,5	2	25x25x1,5-2
27835-05-3030121520	A	square	30	-	M12	5	16,5	14,5	2	30x30x1,5-2
27835-05-3030122530	A	square	30	-	M12	5	16,5	14,5	2	30x30x2,5-3
27835-05-3232121520	A	square	32	-	M12	5	24	14,5	2	32x32x1,5-2
27835-05-3434121520	A	square	34	-	M12	5	24	14,5	2	34x34x1,5-2
27835-05-3535121520	A	square	35	-	M12	5	24	14,5	2	35x35x1,5-2
27835-05-3838121520	A	square	38	-	M12	5	24	14,5	2	38x38x1,5-2
27835-05-4040121520	A	square	40	-	M12	5	24	14,5	2	40x40x1,5-2
27835-05-4040122530	A	square	40	-	M12	5	24	14,5	2	40x40x2,5-3
27835-05-4545121520	A	square	45	-	M12	5	24	14,5	2	45x45x1,5-2
27835-05-5050121520	A	square	50	-	M12	5	24	14,5	2	50x50x1,5-2
27835-05-5050122530	A	square	50	-	M12	5	24	14,5	2	50x50x2,5-3
27835-05-4020081520	B	rectangular	40	20	M8	5	24	14,5	2	40x20x1,5-2
27835-05-4025081520	B	rectangular	40	25	M8	5	24	14,5	2	40x25x1,5-2
27835-05-4030081520	B	rectangular	40	30	M8	5	24	14,5	2	40x30x1,5-2
27835-05-5020081520	B	rectangular	50	20	M8	5	24	14,5	2	50x20x1,5-2
27835-05-5025082530	B	rectangular	50	25	M8	5	24	14,5	2	50x25x1,5-2
27835-05-5030081015	B	rectangular	50	30	M8	5	24	14,5	2	50x30x1-1,5
27835-05-5030081520	B	rectangular	50	30	M8	5	24	14,5	2	50x30x1,5-2
27835-05-6025081520	B	rectangular	60	25	M8	5	24	14,5	2	60x25x1,5-2
27835-05-6030081520	B	rectangular	60	30	M8	5	24	14,5	2	60x30x1,5-2
27835-05-6040081520	B	rectangular	60	40	M8	5	24	14,5	2	60x40x1,5-2
27835-05-4020101520	B	rectangular	40	20	M10	5	24	14,5	2	40x20x1,5-2
27835-05-4025101520	B	rectangular	40	25	M10	5	24	14,5	2	40x25x1,5-2
27835-05-4030101520	B	rectangular	40	30	M10	5	24	14,5	2	40x30x1,5-2
27835-05-5020101520	B	rectangular	50	20	M10	5	24	14,5	2	50x20x1,5-2
27835-05-5025102530	B	rectangular	50	25	M10	5	24	14,5	2	50x25x1,5-2
27835-05-5030101015	B	rectangular	50	30	M10	5	24	14,5	2	50x30x1-1,5
27835-05-5030101520	B	rectangular	50	30	M10	5	24	14,5	2	50x30x1,5-2
27835-05-6025101520	B	rectangular	60	25	M10	5	24	14,5	2	60x25x1,5-2
27835-05-6030101520	B	rectangular	60	30	M10	5	24	14,5	2	60x30x1,5-2
27835-05-6040101520	B	rectangular	60	40	M10	5	24	14,5	2	60x40x1,5-2
27835-05-4030121520	B	rectangular	40	30	M12	5	24	14,5	2	40x30x1,5-2
27835-05-5030121015	B	rectangular	50	30	M12	5	24	14,5	2	50x30x1-1,5
27835-05-5030121520	B	rectangular	50	30	M12	5	24	14,5	2	50x30x1,5-2
27835-05-6030121520	B	rectangular	60	30	M12	5	24	14,5	2	60x30x1,5-2
27835-05-6040121520	B	rectangular	60	40	M12	5	24	14,5	2	60x40x1,5-2