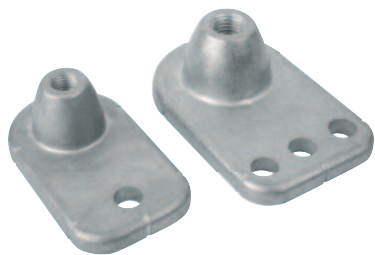


Ducks feet



Material:
Die-cast aluminium.

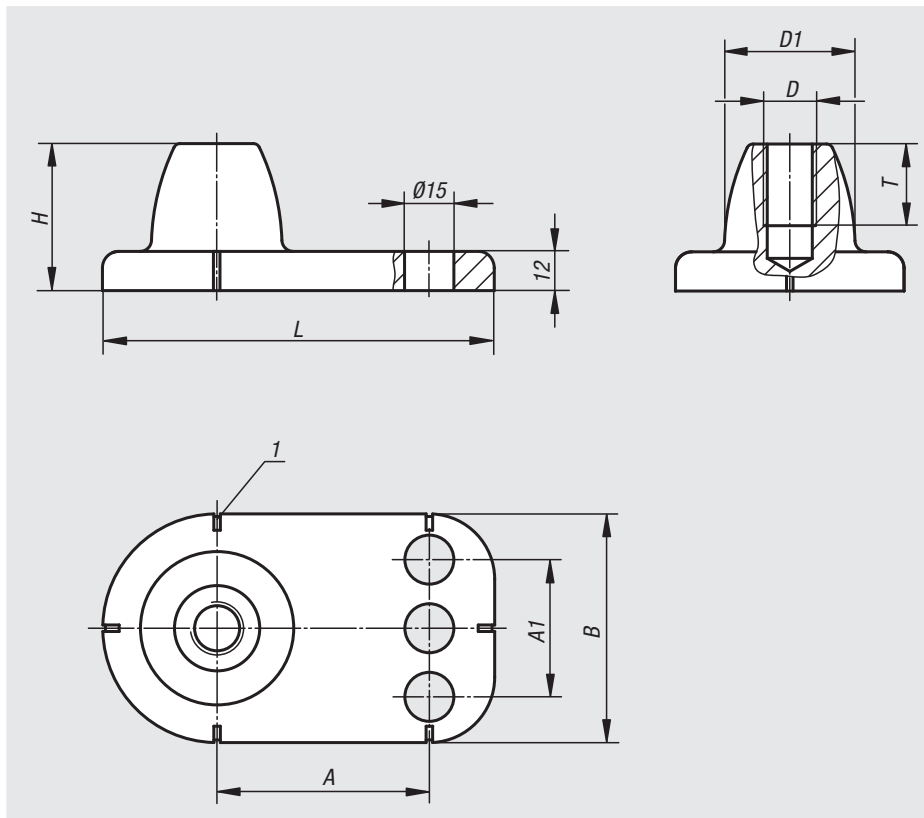
Version:
Bright, vibratory ground.

Sample order:
nlm 27833-161

Note:
Stabile levelling foot which is ideally suited for conveyor units. With aligning markings to precisely position the ducks feet.

Accessories:
Matching threaded rods 07640.

Drawing reference:
1) alignment marks



Order No.	A	A1	B	D	D1	H	L	T	Load capacity N
27833-161	65	-	70	M16	40	45	119,5	25	4000
27833-201	75	55	90	M20	52	50	139,5	27,5	6000