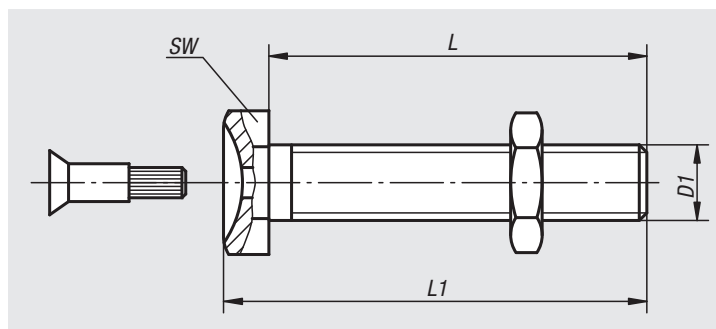


Levelling feet ECO threaded spindles

steel or stainless steel



Material:

Steel or 1.4305 stainless steel

Version:

Steel trivalent blue passivated.
Stainless steel, bright.

Sample order:

nIm 27832-101201

nIm 27832-101201 and 27830-10301 **assembled**

Note for ordering:

If the threaded spindle and the levelling foot plate are to be supplied assembled, please add the suffix "**assembled**" to the order number for the spindle and plate. (e.g. 27832-080251 and 27830-10301 **assembled**.)

Note:

ECO levelling feet consist of a threaded spindle and a plate. Any threaded spindle can be combined with any plate.

Order No. steel	Order No. stainless steel	D1	L	L1	SW	Load rating max. kN
27832-080251	27832-080252	M8	25	29,5	13	3,5
27832-080401	27832-080402	M8	40	44,5	13	3,5
27832-080501	27832-080502	M8	50	54,5	13	3,5
27832-080701	27832-080702	M8	70	74,5	13	3,5
27832-080801	27832-080802	M8	80	84,5	13	3,5
27832-081001	27832-081002	M8	100	104,5	13	3,5
27832-081201	27832-081202	M8	120	124,5	13	3,5
27832-100251	27832-100252	M10	25	30	17	4,7
27832-100401	27832-100402	M10	40	45	17	4,7
27832-100501	27832-100502	M10	50	55	17	4,7
27832-100701	27832-100702	M10	70	75	17	4,7
27832-100801	27832-100802	M10	80	85	17	4,7
27832-101001	27832-101002	M10	100	105	17	4,7
27832-101201	27832-101202	M10	120	125	17	4,7
27832-120251	27832-120252	M12	25	31	19	7,7
27832-120401	27832-120402	M12	40	46	19	7,7
27832-120501	27832-120502	M12	50	56	19	7,7
27832-120701	27832-120702	M12	70	76	19	7,7
27832-120801	27832-120802	M12	80	86	19	7,7
27832-121001	27832-121002	M12	100	106	19	7,7
27832-121201	27832-121202	M12	120	126	19	7,7
27832-160501	27832-160502	M16	50	58,5	24	14,5
27832-161001	27832-161002	M16	100	108,5	24	14,5
27832-161501	27832-161502	M16	150	158,5	24	14,5