

Levelling feet plates ECO

die-cast zinc, stainless steel or plastic



Material:

Plate thermoplastic, die-cast zinc or stainless steel 1.4305.
Anti-slip plate thermoplastic elastomer.

Version:

Thermoplastic plate black.
Die-cast zinc plate blue electro zinc-plated.
Stainless steel plate bright.

Sample order:

nlm 27830-10303

nlm 27830-10303 and 27832-080801 **assembled**

Note for ordering:

If the levelling foot plate and the threaded spindle are to be supplied assembled, please add the suffix **"assembled"** to the order number for the plate and spindle. (e.g. 27830-10303 and 27832-080801 **assembled**).

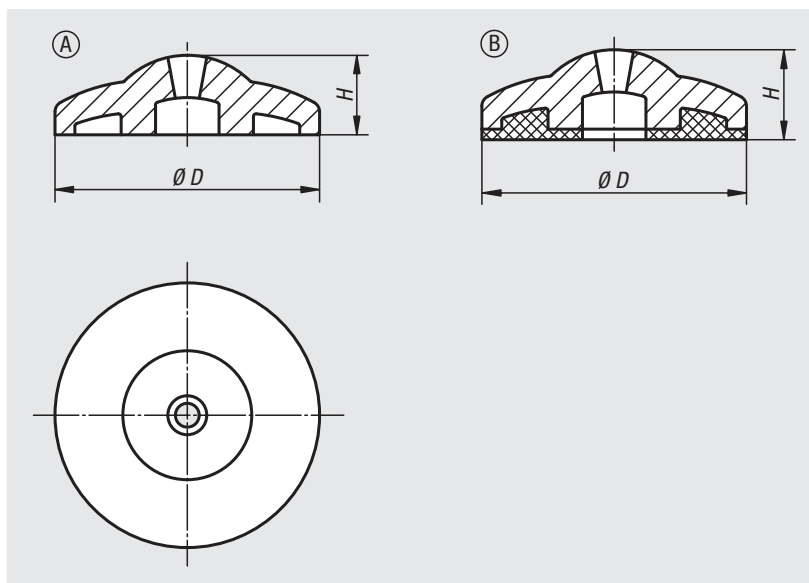
Note:

ECO levelling feet consist of a plate and a threaded spindle.
Any plate can be combined with any threaded spindle.
The anti-slip plate absorbs vibrations and prevents the levelling foot slipping.
For matching threaded spindles see 27832.

Drawing reference:

Form A without anti-slip plate

Form B with anti-slip plate



Order No.	Form	Main material	D	H	Load rating max. kN
27830-10301	A	zinc	30	11,5	16
27830-10401	A	zinc	40	12	18
27830-10501	A	zinc	50	14,5	20
27830-20301	B	zinc	30	13,5	16
27830-20401	B	zinc	40	14,5	18
27830-20501	B	zinc	50	17,5	20
27830-10302	A	stainless steel	30	11,5	22
27830-10402	A	stainless steel	40	12	24
27830-10502	A	stainless steel	50	14,5	26
27830-20302	B	stainless steel	30	13,5	22
27830-20402	B	stainless steel	40	14,5	24
27830-20502	B	stainless steel	50	17,5	26
27830-10303	A	thermoplastic	30	11,5	15
27830-10403	A	thermoplastic	40	12	15
27830-10503	A	thermoplastic	50	14,5	15
27830-20303	B	thermoplastic	30	13,5	15
27830-20403	B	thermoplastic	40	14,5	15
27830-20503	B	thermoplastic	50	17,5	15