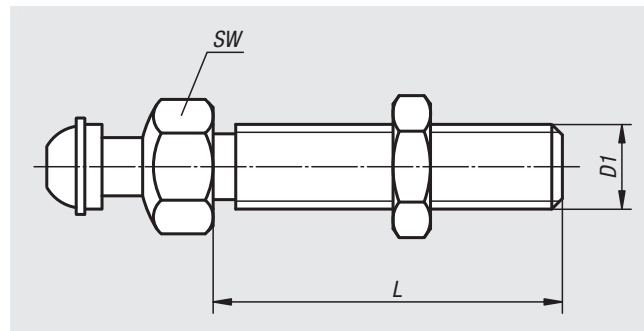


# Levelling feet threaded spindles

steel or stainless steel



## Material:

Steel or 1.4305 stainless steel

## Version:

Steel trivalent blue passivated.  
Stainless steel, bright.

## Sample order:

nIm 27828-120661

nIm 27828-120661 and 27815-1060 **assembled**

## Note for ordering:

If the threaded spindle and the levelling foot plate are to be supplied assembled, please add the suffix "**assembled**" to the order number for the spindle and plate. (e.g. 27828-120661 and 27815-1060 **assembled**.)

## Note:

Levelling feet consist of a plate and a threaded spindle. Any plate can be combined with any threaded spindle. The height of the complete levelling foot is calculated from the length of the threaded spindle + 30 mm. (Total height of levelling foot = L + 30 mm)

Order No. steel	Order No. stainless steel	D1	L	SW	Load rating max. kN
27828-120661	27828-120662	M12	66	22	7,7
27828-121001	27828-121002	M12	100	22	7,7
27828-121251	27828-121252	M12	125	22	7,7
27828-121501	27828-121502	M12	150	22	7,7
27828-160661	27828-160662	M16	66	22	14,5
27828-161001	27828-161002	M16	100	22	14,5
27828-161251	27828-161252	M16	125	22	14,5
27828-161501	27828-161502	M16	150	22	14,5
27828-162001	27828-162002	M16	200	22	14,5
27828-201001	27828-201002	M20	100	22	24,3
27828-201251	27828-201252	M20	125	22	24,3
27828-201501	27828-201502	M20	150	22	24,3
27828-202001	27828-202002	M20	200	22	24,3