

# Levelling feet plates extended

die-cast zinc



## Material:

Plate die-cast zinc.

Anti-slip plate thermoplastic elastomer.

## Version:

Plate black powder-coated.

## Sample order:

nIm 27818-30801

nIm 27818-30801 and 27828-120661 **assembled**

## Note for ordering:

If the levelling foot plate and the threaded spindle are to be supplied assembled, please add the suffix "**assembled**" to the order number for the plate and spindle. (e.g. 27818-30801 and 27828-120661 **assembled**.)

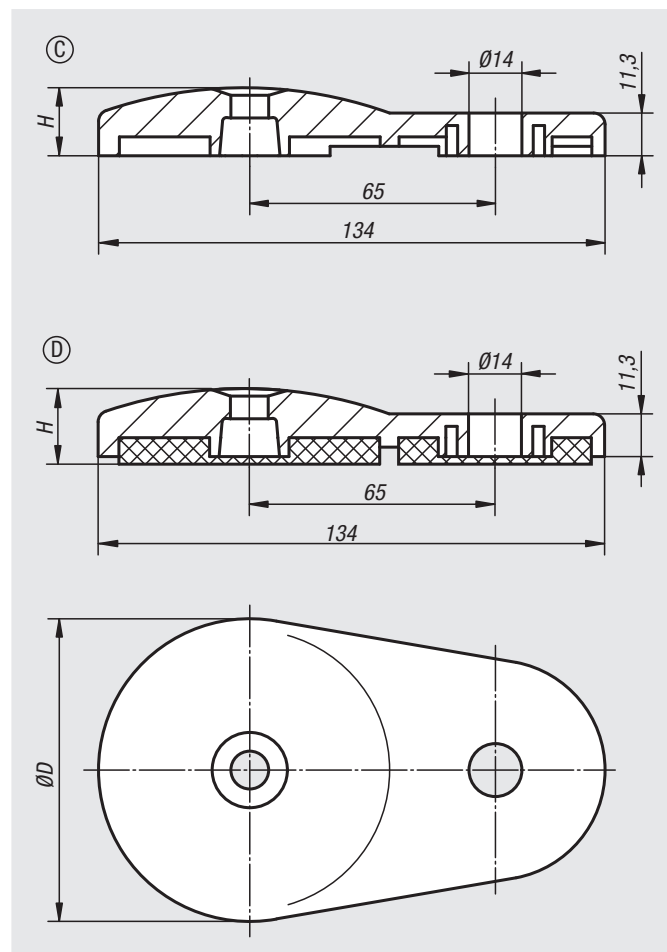
## Note:

Levelling feet consist of a plate and a threaded spindle. Any plate can be combined with any threaded spindle. The anti-slip plate absorbs vibrations and prevents the levelling foot slipping. For matching threaded spindles see 27828.

## Drawing reference:

Form C with screw-on hole, without anti-slip plate

Form D with screw-on hole, with anti-slip plate



Order No.	Form	D	H	Load rating max. kN
27818-30801	C	80	18	35
27818-40801	D	80	20	35