

Levelling foot plates

die-cast zinc or stainless steel



Material:

Plate die-cast zinc or stainless steel 1.4305.
Anti-slip plate thermoplastic elastomer.

Version:

Die-cast zinc plate, black powder-coated.
Stainless steel plate, bright.

Sample order:

nIm 27817-10601

nIm 27817-10601 and 27828-120661 **assembled**

Note for ordering:

If the levelling foot plate and the threaded spindle are to be supplied assembled, please add the suffix "**assembled**" to the order number for the plate and spindle.

(e.g. 27817-10601 and 27828-120661 **assembled**).

Note:

Levelling feet consist of a plate and a threaded spindle. Any plate can be combined with any threaded spindle.

The anti-slip plate absorbs vibrations and prevents the levelling foot slipping.

For matching threaded spindles see 27828.

Drawing reference:

Form A

without screw-on hole, without anti-slip plate

Form B

without screw-on hole, with anti-slip plate

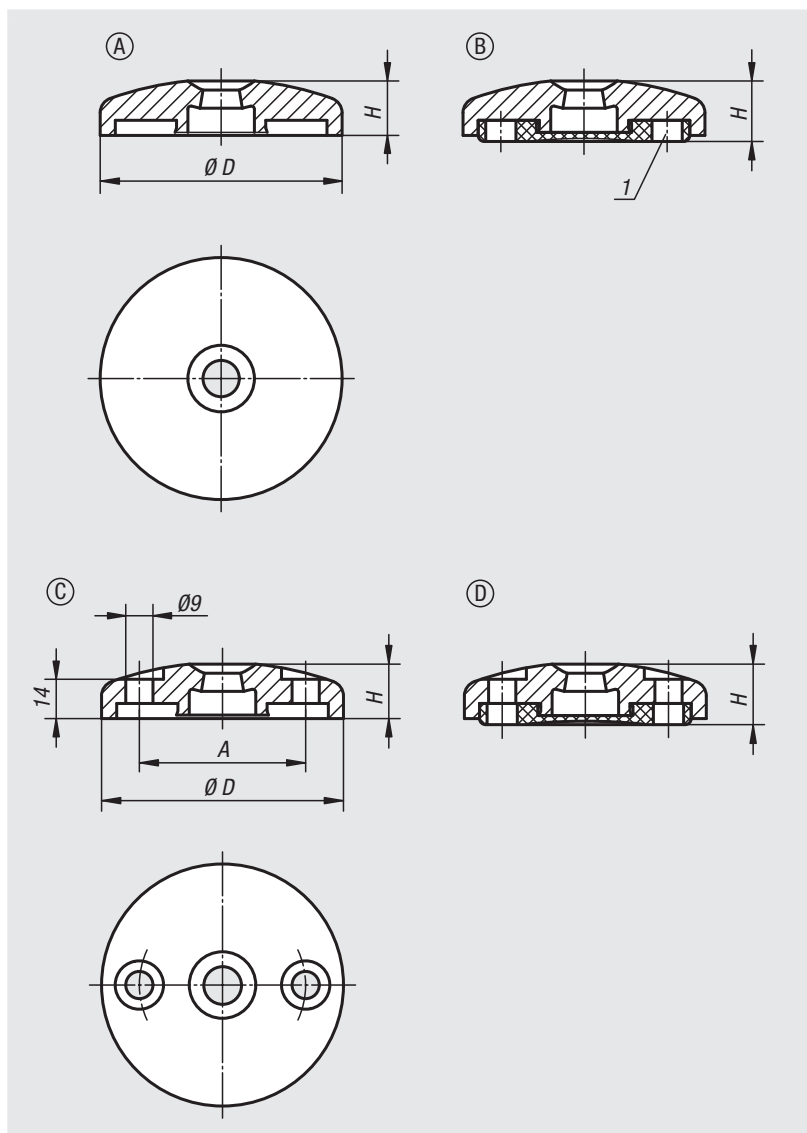
Form C

with screw-on hole (open), without anti-slip plate

Form D

with screw-on hole (open), with anti-slip plate

1) From plate $\varnothing 80$



Levelling feet plates

die-cast zinc or stainless steel

Order No.	Form	Main material	D	A	H	Load rating max. kN
27817-10401	A	zinc	40	-	18	20
27817-10451	A	zinc	45	-	18	25
27817-10501	A	zinc	50	-	18	25
27817-10601	A	zinc	60	-	18	35
27817-10801	A	zinc	80	-	18	35
27817-11001	A	zinc	100	-	18	35
27817-11201	A	zinc	120	-	18	35
27817-10602	A	stainless steel	60	-	18	45
27817-10802	A	stainless steel	80	-	18	45
27817-11002	A	stainless steel	100	-	18	45
27817-20601	B	zinc	60	-	20	35
27817-20801	B	zinc	80	-	20	35
27817-21001	B	zinc	100	-	20	35
27817-21201	B	zinc	120	-	20	35
27817-20602	B	stainless steel	60	-	20	45
27817-20802	B	stainless steel	80	-	20	45
27817-21002	B	stainless steel	100	-	20	45
27817-30801	C	zinc	80	55	18	35
27817-31001	C	zinc	100	74	18	35
27817-30802	C	stainless steel	80	55	18	45
27817-31002	C	stainless steel	100	74	18	45
27817-40801	D	zinc	80	55	20	35
27817-41001	D	zinc	100	74	20	35
27817-40802	D	stainless steel	80	55	20	45
27817-41002	D	stainless steel	100	74	20	45