

Levelling foot plates

plastic, heavy-duty version



Material:

Plates, thermoplastic, fibreglass reinforced.
Anti-slip plate thermoplastic elastomer.

Version:

black.

Sample order:

nIm 27816-31251

nIm 27816-31251 and 27828-120661 **assembled**

Note for ordering:

If the levelling foot plate and the threaded spindle are to be supplied assembled, please add the suffix "**assembled**" to the order number for the plate and spindle. (e.g. 27816-31251 and 27828-120661 **assembled**.)

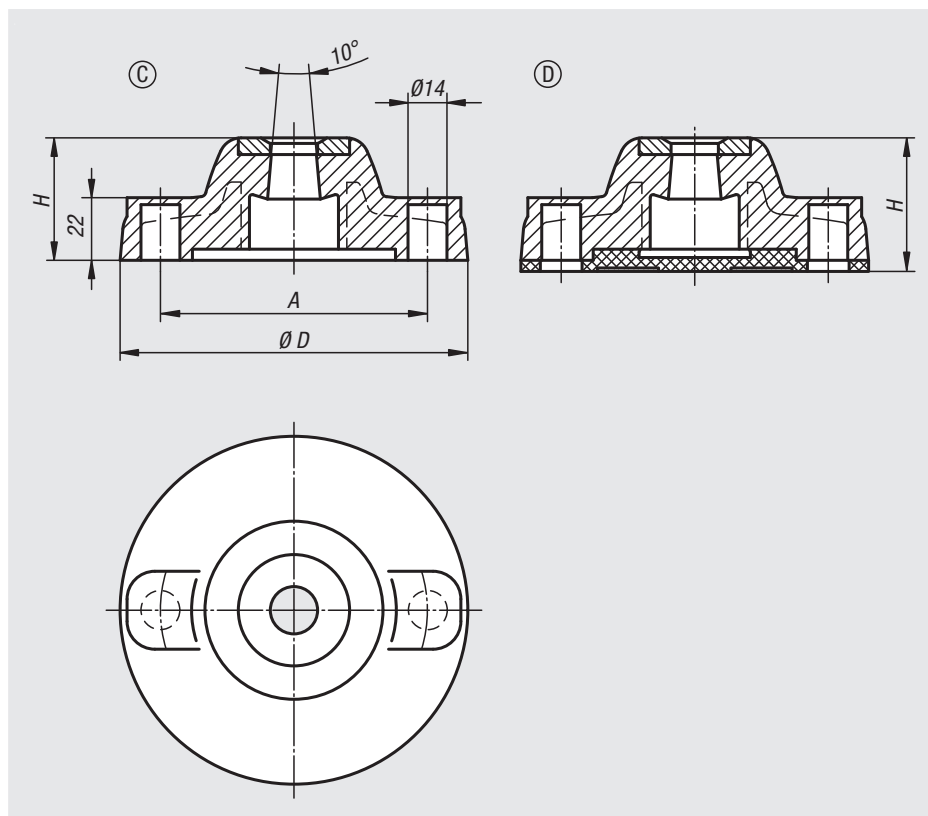
Note:

Levelling feet consist of a plate and a threaded spindle. Any plate can be combined with any threaded spindle. The anti-slip plate absorbs vibrations and prevents the levelling foot slipping. For matching threaded spindles see 27828.

Drawing reference:

Form C with screw-on hole (closed), without anti-slip plate

Form D with screw-on hole (closed), with anti-slip plate



| Order No. | Form | D | A | H | Load rating max. kN |
|-------------|------|-----|-----|----|---------------------|
| 27816-31251 | C | 125 | 96 | 44 | 18 |
| 27816-31751 | C | 175 | 135 | 45 | 25 |
| 27816-41251 | D | 125 | 96 | 48 | 18 |
| 27816-41751 | D | 175 | 135 | 49 | 25 |