

Levelling foot plates

plastic



Material:

Plates, thermoplastic, fibreglass reinforced.
Anti-slip plate thermoplastic elastomer.

Version:

black.

Sample order:

nIm 27815-1060
nIm 27815-1060 and 27828-120661 **assembled**

Note for ordering:

If the levelling foot plate and the threaded spindle are to be supplied assembled, please add the suffix “**assembled**” to the order number for the plate and spindle. (e.g. 27815-1060 and 27828-120661 **assembled**.)

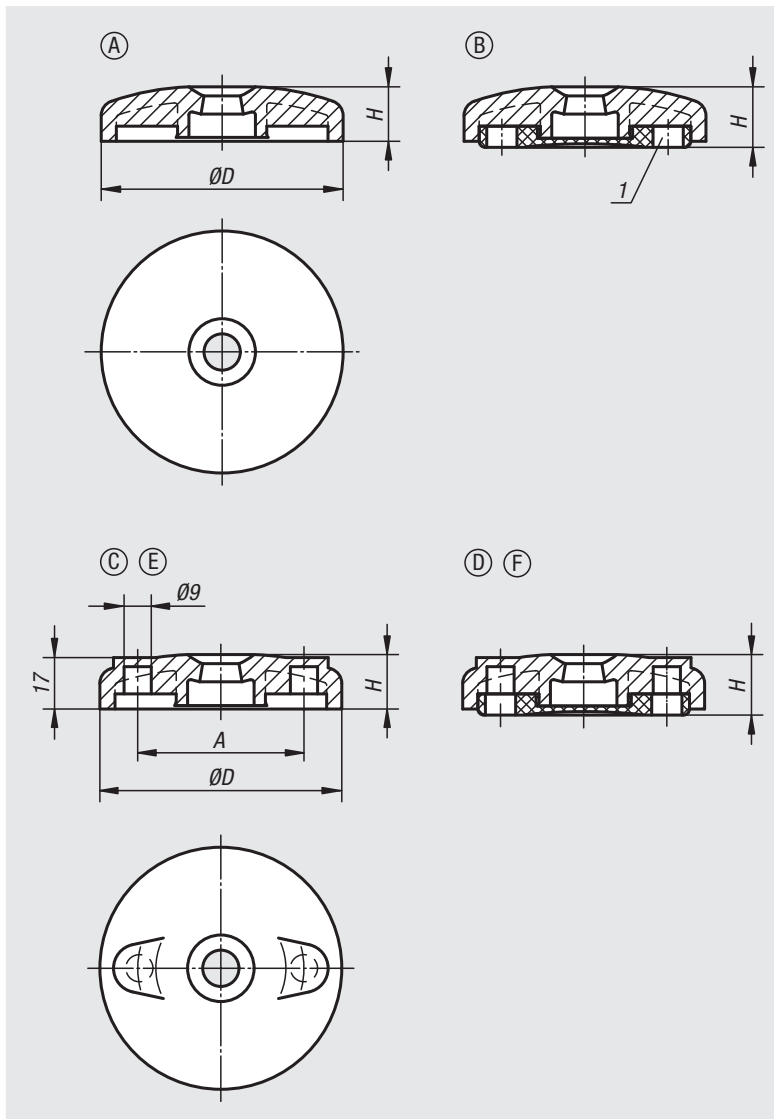
Note:

Levelling feet consist of a plate and a threaded spindle. Any plate can be combined with any threaded spindle.
The anti-slip plate absorbs vibrations and prevents the levelling foot slipping.
For matching threaded spindles see 27828.

Drawing reference:

- Form A without screw-on hole, without anti-slip plate
- Form B without screw-on hole, with anti-slip plate
- Form C with screw-on hole (closed), without anti-slip plate
- Form D with screw-on hole (closed), with anti-slip plate
- Form E with screw-on hole (open), without anti-slip plate
- Form F with screw-on hole (open), with anti-slip plate

1) From plate $\varnothing 80$



Order No.	Form	D	A	H	Load rating max. kN
27815-1060	A	60	-	18	12
27815-1080	A	80	-	18	12
27815-1100	A	100	-	18	12
27815-2060	B	60	-	20	12
27815-2080	B	80	-	20	12
27815-2100	B	100	-	20	12
27815-3080	C	80	55	18	12
27815-3100	C	100	74	18	12
27815-4080	D	80	55	20	12
27815-4100	D	100	74	20	12
27815-5080	E	80	55	18	12
27815-5100	E	100	74	18	12
27815-6080	F	80	55	20	12
27815-6100	F	100	74	20	12

2000
2100
22000
23000
24000
26000
27000
28000
29000
31000
32000
33000