

Swivel feet ball joints

with internal thread



Material:

Steel or stainless steel 1.4301.

Version:

Steel trivalent blue passivated.
Stainless steel, bright.

Sample order:

nIm 27811-061

nIm 27811-061 and 27800-1030 **assembled**

Note for ordering:

If the ball joint and the plate are to be supplied assembled, please add the suffix "**assembled**" to the order number for the ball joint and plate. (e.g. 27811-061 and 27800-1030 **assembled**.)

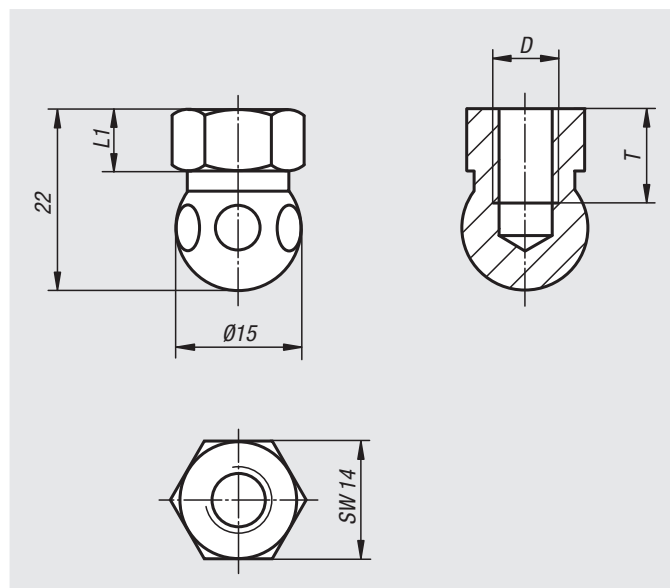
Note:

For fastening swivel feet with standard screws.

Swivel feet consist of a ball joint and a plate. Any ball joint can be combined with any plate.

The height of the complete swivel foot is calculated by the height of the hexagon + 22.5 mm.

(Overall height of swivel foot = L1 + 22.5 mm).



Order No. steel	Order No. stainless steel	D	L1	T
27811-061	27811-062	M6	7,5	10
27811-081	27811-082	M8	7,5	10