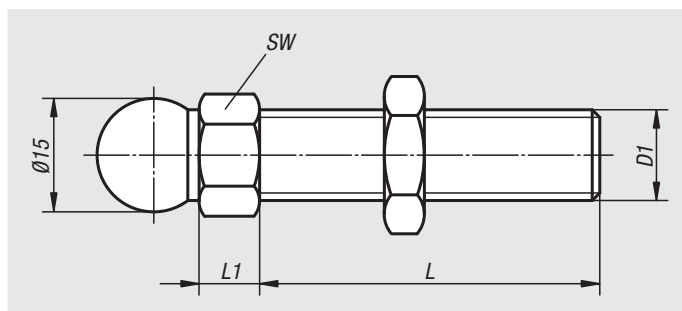
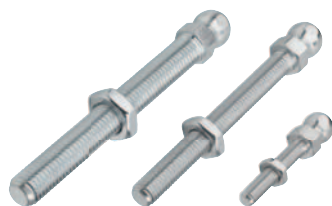


# Swivel feet threaded spindles

steel or stainless steel



## Material:

Steel or 1.4305 stainless steel

## Version:

Steel trivalent blue passivated.  
Stainless steel, bright.

## Sample order:

nIm 27810-060151

nIm 27810-060151 and 27800-1030 **assembled**

## Note for ordering:

If the threaded spindle and the plate are to be supplied assembled, please add the suffix **"assembled"** to the order number for the spindle and plate. (e.g. 27810-060151 and 27800-1030 **assembled**.)

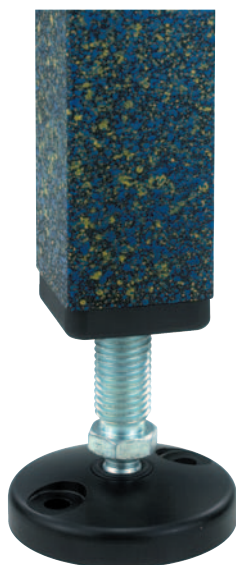
## Note:

Swivel feet consist of a threaded spindle and a plate joined together. Any threaded spindle can be combined with any plate.

The height of the complete swivel foot can be calculated from the length of the threaded spindle + height of hexagon + 22.5 mm.

(Overall height of swivel foot =  $L + L1 + 22.5$  mm)

Depending on the version, threaded spindles can have a thread undercut in front of the hexagon.



Order No. steel	Order No. stainless steel	D1	L	L1	SW	Load rating max. kN
27810-060151	27810-060152	M6	15	7,5	14	2
27810-060301	27810-060302	M6	30	7,5	14	2
27810-080401	27810-080402	M8	40	7,5	14	3,5
27810-080801	27810-080802	M8	80	7,5	14	3,5
27810-100451	27810-100452	M10	45	7,5	14	4,7
27810-100701	27810-100702	M10	70	7,5	14	4,7
27810-100901	27810-100902	M10	90	7,5	14	4,7
27810-101251	27810-101252	M10	125	7,5	14	4,7
27810-101501	27810-101502	M10	150	7,5	14	4,7
27810-120451	27810-120452	M12	45	7,5	14	7,7
27810-120661	27810-120662	M12	66	7,5	14	7,7
27810-121001	27810-121002	M12	100	7,5	14	7,7
27810-121251	27810-121252	M12	125	7,5	14	7,7
27810-121501	27810-121502	M12	150	7,5	14	7,7
27810-140661	27810-140662	M14	66	7,5	14	11,1
27810-141001	27810-141002	M14	100	7,5	14	11,1
27810-141251	27810-141252	M14	125	7,5	14	11,1
27810-141501	27810-141502	M14	150	7,5	14	11,1
27810-160661	27810-160662	M16	66	7,5	17	14,5
27810-161001	27810-161002	M16	100	7,5	17	14,5
27810-161251	27810-161252	M16	125	7,5	17	14,5
27810-161501	27810-161502	M16	150	7,5	17	14,5
27810-162001	27810-162002	M16	200	7,5	17	14,5
27810-200851	27810-200852	M20	85	10,5	22	24,3
27810-201001	27810-201002	M20	100	10,5	22	24,3
27810-201251	27810-201252	M20	125	10,5	22	24,3
27810-201501	27810-201502	M20	150	10,5	22	24,3
27810-202001	27810-202002	M20	200	10,5	22	24,3
27810-240851	27810-240852	M24	85	10,5	24	36,1
27810-241001	27810-241002	M24	100	10,5	24	36,1
27810-241251	27810-241252	M24	125	10,5	24	36,1
27810-241501	27810-241502	M24	150	10,5	24	36,1
27810-242001	27810-242002	M24	200	10,5	24	36,1