

Machine feet

with vibration absorption



Material:

Plate steel or stainless steel 1.4404.
Damper plate PUR elastomer (Sylomer V12).

Version:

Plate trivalent blue passivated or bright.
Damper plate grey, glued in, anti-slip.
Temp. range -30 °C to +70 °C.

Sample order:

nIm 27808-046

Note:

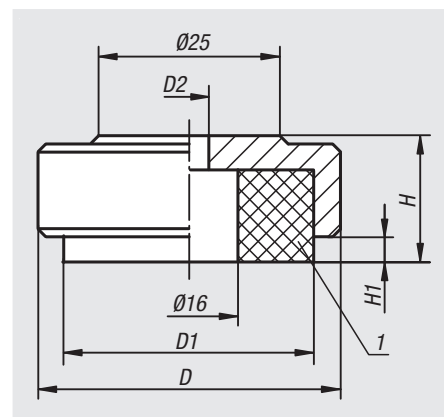
The load rating given in the table is a recommendation of the **permanent static** load up to which the damper plate should be used.

This static load corresponds to a surface pressure of 0.4 N/mm², at which the material reaches its optimum absorption properties. Here it is taken into account that under dynamic loading an additional load of up to 0.6 N/mm² may occur.

The damper plate absorbs vibrations and prevents the machine foot slipping.

Drawing reference:

1) damper plate



Order No.	Main material	D	D1	D2	H	H1 by 0 / 0.4 / 0.6 N/mm ²	Load rating max. kN
27808-036	steel	36	30,5	5,5	15	4 / 2,8 / 1,9	0,212
27808-046	steel	46	40,5	6,6	17	4 / 2,8 / 1,9	0,435
27808-056	steel	56	50	9	19	4 / 2,8 / 1,9	0,705
27808-074	steel	74	68	9	21	4 / 2,8 / 1,9	1,372
27808-1036	stainless steel	36	30,5	5,5	15	4 / 2,8 / 1,9	0,212
27808-1046	stainless steel	46	40,5	6,6	17	4 / 2,8 / 1,9	0,435
27808-1056	stainless steel	56	50	9	19	4 / 2,8 / 1,9	0,705