

Swivel feet

with vibration absorption



Material:

Steel version:

Foot high carbon steel.

Ball element free-cutting steel.

Stainless steel version:

Foot and ball element stainless steel.

Damper plate PUR elastomer (Sylomer V12).

Version:

Steel version:

Foot black oxidised.

Ball element case-hardened and black oxidised.

Stainless steel version:

Bright.

Anti-slip damper plate grey, glued in.

Temp. range -30 °C to +70 °C.

Sample order:

nIm 27806-110

Note:

The load rating given in the table is a recommendation of the **permanent static** load to which the damping element should be used.

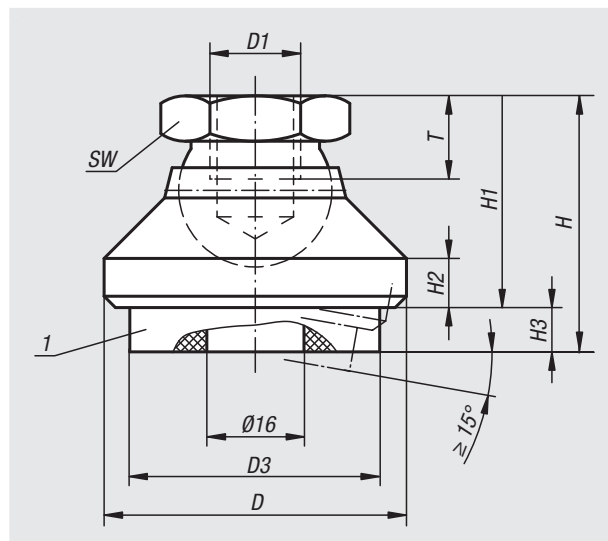
This static load corresponds to a surface pressure of 0.4 N/mm² at which the material achieves its optimum absorption properties. It is taken into account that under dynamic loading an additional load of up to 0.6 N/mm² may occur.

The damper plate absorbs vibrations and prevents the swivel foot slipping.

For swivel feet without vibration absorption see article No. 07144.

Drawing reference:

1) damper plate



Order No.	Main material	D	D1	D3	H	H1	H2	H3 by 0 / 0.4 / 0.6 N/mm ²	T	SW	Load rating max. kN
27806-110	steel	32	M10	30,5	30	22	5	8 / 6,8 / 5,9	10	17	0,212
27806-112	steel	40	M12	30,5	34	26	6	8 / 6,8 / 5,9	12	19	0,212
27806-116	steel	50	M16	40,5	40	32	7	8 / 6,8 / 5,9	14	24	0,435
27806-120	steel	60	M20	50	50	42	8	8 / 6,8 / 5,9	18	30	0,705
27806-310	stainless steel	32	M10	30,5	30	22	5	8 / 6,8 / 5,9	10	17	0,212
27806-312	stainless steel	40	M12	30,5	34	26	6	8 / 6,8 / 5,9	12	19	0,212
27806-316	stainless steel	50	M16	40,5	40	32	7	8 / 6,8 / 5,9	14	24	0,435
27806-320	stainless steel	60	M20	50	50	42	8	8 / 6,8 / 5,9	18	30	0,705