

Swivel foot plates

with vibration absorption



Material:

Plate die-cast zinc or stainless steel 1.4305.
Damper plate PUR elastomere (Sylomer V12).

Version:

Die-cast zinc plate, black powder-coated.
Stainless steel plate, bright.
Damper plate, grey, glued in, anti-slip.
Temp. range -30 °C to +70 °C.

Sample order:

nIm 27804-20601

nIm 27804-20601 and 27810-060151 **assembled**

Note for ordering:

If the swivel foot plate and the threaded spindle or ball joint are to be supplied assembled, please add the suffix "**assembled**" to the order number for the plate and the spindle or ball joint. (e.g. 27804-20601 and 27810-060151 **assembled**.)

Note:

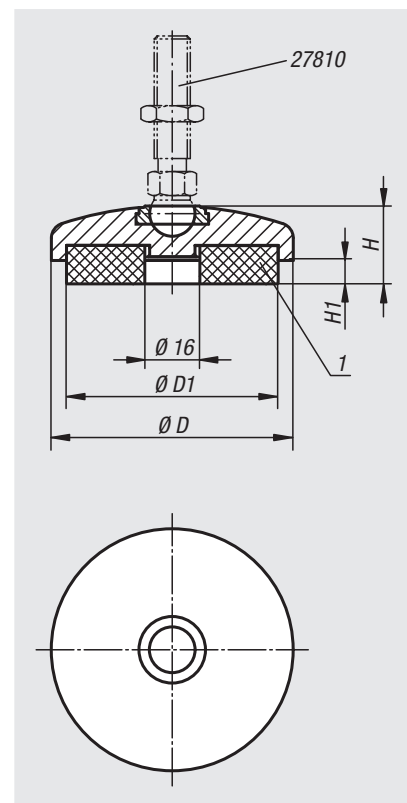
The load rating given in the table is a recommendation of the **permanent static** load up to which the absorption unit should be used. This static load corresponds to a pressure per area of 0.4 N/mm², at which the material achieves its optimum absorption properties. Here it is taken into account that under dynamic demands an additional load, up to 0.6 N/mm² may occur. The damper plate absorbs vibrations and prevents the swivel foot slipping. Swivel feet consist of a plate and a threaded spindle or ball joint. Any plate can be combined with any threaded spindle or ball joint.

For matching threaded spindles see 27810.

For matching ball joints see 27811.

Drawing reference:

1) damper plate



Order No.	Main material	D	D1	H	H1 by 0 / 0.4 / 0.6 N/mm ²	Load rating max. kN
27804-20401	zinc	40	30,5	25	7 / 5,9 / 4,8	0,062
27804-20501	zinc	50	40,5	25	7 / 5,9 / 4,8	0,212
27804-20601	zinc	60	50	25	7 / 5,9 / 4,8	0,433
27804-20801	zinc	80	68	25	7 / 5,9 / 4,8	0,614
27804-20402	stainless steel	40	30,5	25	7 / 5,8 / 4,9	0,212
27804-20502	stainless steel	50	40,5	25	7 / 5,8 / 4,9	0,435
27804-20602	stainless steel	60	50	25	7 / 5,8 / 4,9	0,705
27804-20802	stainless steel	80	68	25	7 / 5,8 / 4,9	1,372