

Swivel feet plates

stainless steel



Material:

Plates, stainless steel 1.4301.
Core, thermoplastic PA.
Rubber support TPE.

Version:

Plate bright.
Rubber support light grey with sealing lip, hardness 70 Shore A.
Temp. range -20°C to +100°C.

Sample order:

nIm 27803-1060
nIm 27803-1060 and 27810-060152 **assembled**

Note for ordering:

If the swivel foot plate and the threaded spindle or ball joint are to be supplied assembled, please add the suffix "**assembled**" to the order number for the plate and the spindle or ball joint. (e.g. 27803-1060 and 27810-060152 **assembled**).

Note:

The rubber support is joined with the stainless steel plate and the PA core by injection moulding. The rubber support is resistant to oil and water (up to 60 °C). In addition, it is furnished with antibacterial and antimicrobial protection and is thus outstandingly suited for sectors in the foods industry.

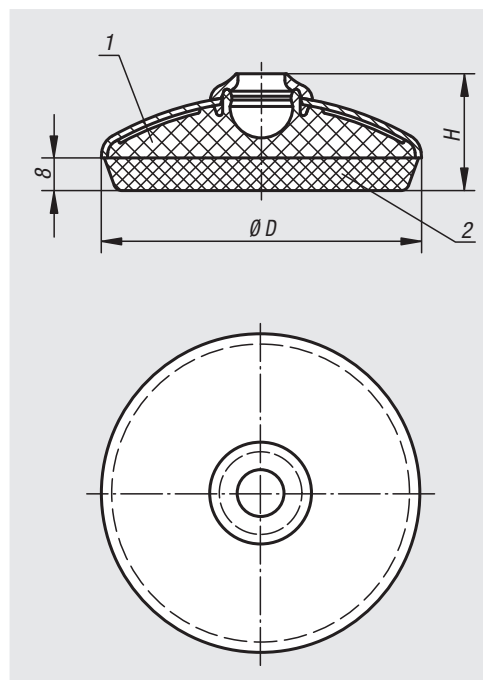
Swivel feet consist of a plate and a threaded spindle or ball joint. Any plate can be combined with any threaded spindle or ball joint.

For matching threaded spindles see 27810.

For matching ball joints see 27811.

Drawing reference:

- 1) PA-core
- 2) rubber base



Order No.	D	H	Load rating max. kN
27803-1060	58,5	29	7
27803-1080	78,5	29	7
27803-1100	98,5	29	7