

# Swivel feet plates extended

die-cast zinc



## Material:

Plate die-cast zinc.

Anti-slip plate thermoplastic elastomer.

## Version:

Plate black powder-coated.

## Sample order:

nIm 27802-30801

nIm 27802-30801 and 27810-060151 **assembled**

## Note for ordering:

If the swivel foot plate and the threaded spindle or ball joint are to be supplied assembled, please add the suffix "**assembled**" to the order number for the plate and the spindle or ball joint. (e.g. 27802-30801 and 27810-060151 **assembled**.)

## Note:

Swivel feet consist of a plate and a threaded spindle or ball joint. Any plate can be combined with any threaded spindle or ball joint. The anti-slip plate absorbs vibrations and prevents the swivel foot slipping.

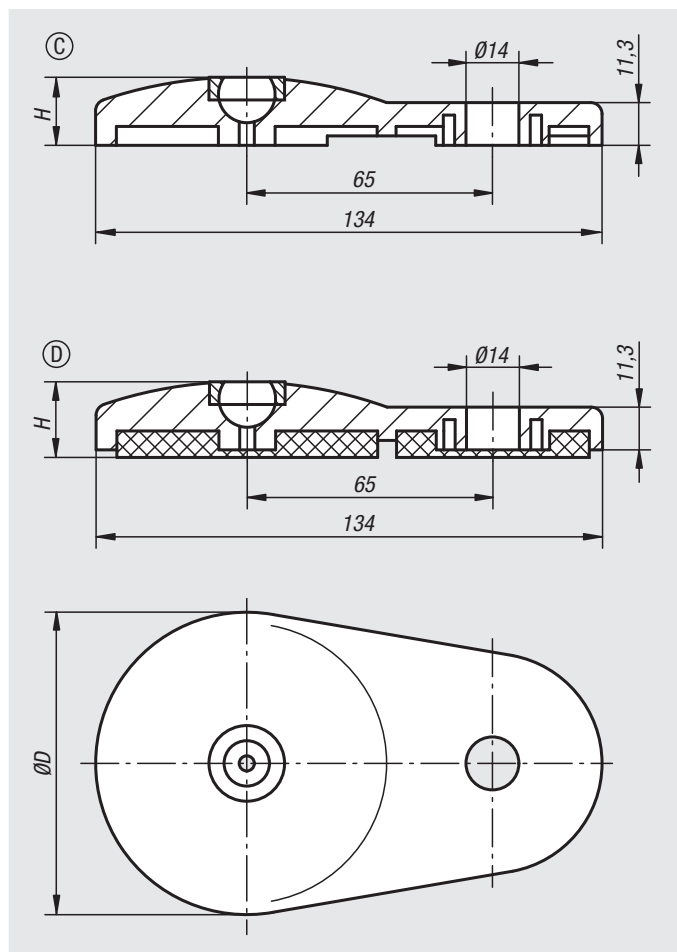
For matching threaded spindles see 27810.

For matching ball joints see 27811.

## Drawing reference:

Form C with screw-on hole, without anti-slip plate

Form D with screw-on hole, with anti-slip plate



Order No.	Form	D	H	Load rating max. kN
27802-30801	C	80	18	30
27802-40801	D	80	20	30