

Swivel feet plates

die-cast zinc or stainless steel



Material:

Plate die-cast zinc or stainless steel 1.4305.
Anti-slip plate thermoplastic elastomer.

Version:

Die-cast zinc plate, black powder-coated.
Stainless steel plate, bright.

Sample order:

nIm 27801-10301

nIm 27801-10301 and 27810-060151 **assembled**

Note for ordering:

If the swivel foot plate and the threaded spindle or ball joint are to be supplied assembled, please add the suffix **"assembled"** to the order number for the plate and the spindle or ball joint. (e.g. 27801-10301 and 27810-060151 **assembled**).

Note:

Swivel feet consist of a plate and a threaded spindle or ball joint. Any plate can be combined with any threaded spindle or ball joint. The anti-slip plate absorbs vibrations and prevents the swivel foot slipping.

For matching threaded spindles see 27810.

For matching ball joints see 27811.

Drawing reference:

Form A

without screw-on hole, without anti-slip plate

Form B

without screw-on hole, with anti-slip plate

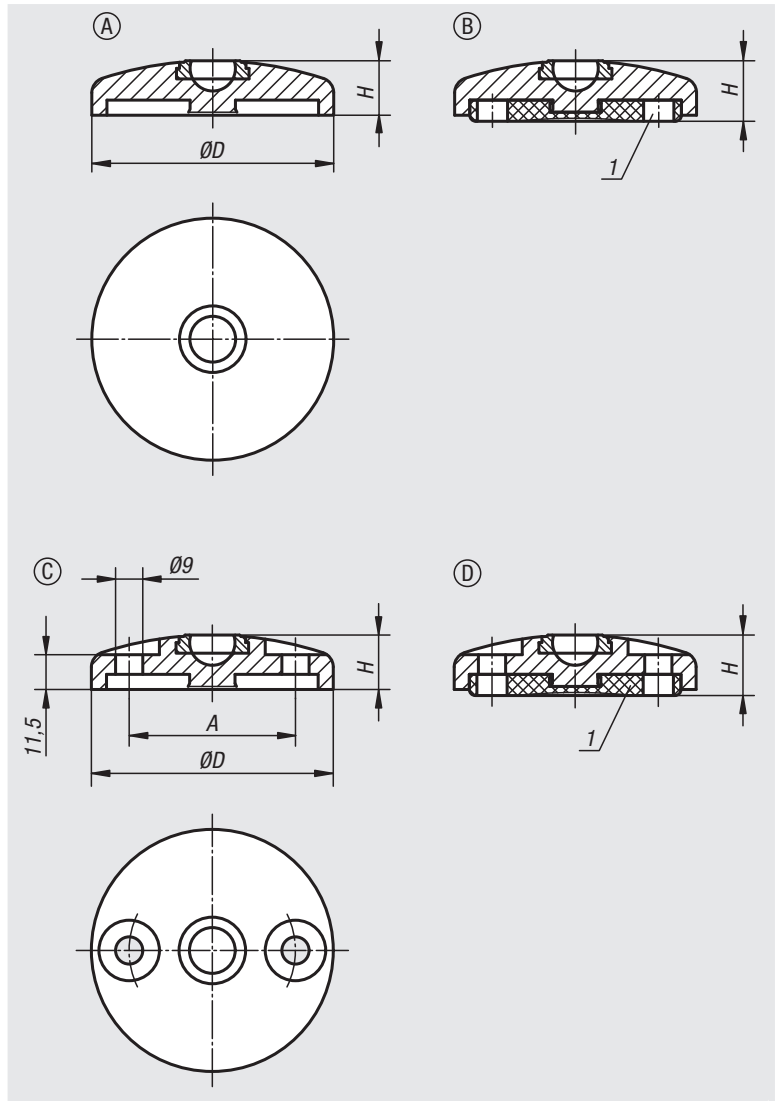
Form C

with screw-on hole (open), without anti-slip plate

Form D

with screw-on hole (open), with anti-slip plate

1) From plate $\varnothing 80$



Swivel feet plates

die-cast zinc or stainless steel

Order No. Form A	Order No. Form B	Main material	D	H	Load rating max. kN
27801-10301	27801-20301	zinc	30	18/20	20
27801-10401	27801-20401	zinc	40	18/20	30
27801-10451	27801-20451	zinc	45	18/20	30
27801-10501	27801-20501	zinc	50	18/20	30
27801-10601	27801-20601	zinc	60	18/20	30
27801-10801	27801-20801	zinc	80	18/20	30
27801-11001	27801-21001	zinc	100	18/20	35
27801-11201	27801-21201	zinc	120	18/20	35

Order No. Form C	Order No. Form D	Main material	D	A	H	Load rating max. kN
27801-30801	27801-40801	zinc	80	55	18/20	30
27801-31001	27801-41001	zinc	100	74	18/20	35
27801-31201	27801-41201	zinc	120	94	18/20	35

Order No. Form A	Order No. Form B	Main material	D	H	Load rating max. kN
27801-10302	27801-20302	stainless steel	30	18/20	20
27801-10402	27801-20402	stainless steel	40	18/20	30
27801-10452	27801-20452	stainless steel	45	18/20	30
27801-10502	27801-20502	stainless steel	50	18/20	35
27801-10602	27801-20602	stainless steel	60	18/20	35
27801-10802	27801-20802	stainless steel	80	18/20	35
27801-11002	27801-21002	stainless steel	100	18/20	40
27801-11202	27801-21202	stainless steel	120	18/20	40

Order No. Form C	Order No. Form D	Main material	D	A	H	Load rating max. kN
27801-30802	27801-40802	stainless steel	80	55	18/20	35
27801-31002	27801-41002	stainless steel	100	74	18/20	40
27801-31202	27801-41202	stainless steel	120	94	18/20	40