

Swivel feet plates antistatic



Material:

Plates, thermoplastic, glass bead reinforced.
Anti-slip plate thermoplastic elastomer.

Version:

black.

Sample order:

nIm 27800-11040

Note for ordering:

If the swivel foot plate and the threaded spindle or ball joint are to be supplied assembled, please add the suffix **"assembled"** to the order number for the plate and the spindle or ball joint. (e.g. 27800-1030 and 27810-060151 **assembled**.)

Note:

Swivel feet consist of a plate and a threaded spindle or ball joint.
Any plate can be combined with any threaded spindle or ball joint.
The anti-slip plate absorbs vibrations and prevents the swivel foot slipping.

For matching threaded spindles see 27810.

For matching ball joints see 27811.

Safety:

These ESD products can also be used for devices, components and protection systems in areas with high risk of explosion.

Use of these ESD products prevents the occurrence of electrostatic spark discharges, eliminating the potential ignition of gases and dusts which could lead to explosions in enclosed spaces.

Manufacturers and operators must use and conform to ATEX directives for the protection of persons working in areas with high risk of explosion.

These ESD products are certified by TÜV-Süd in relation to their electrical discharge capability.

Target groups:

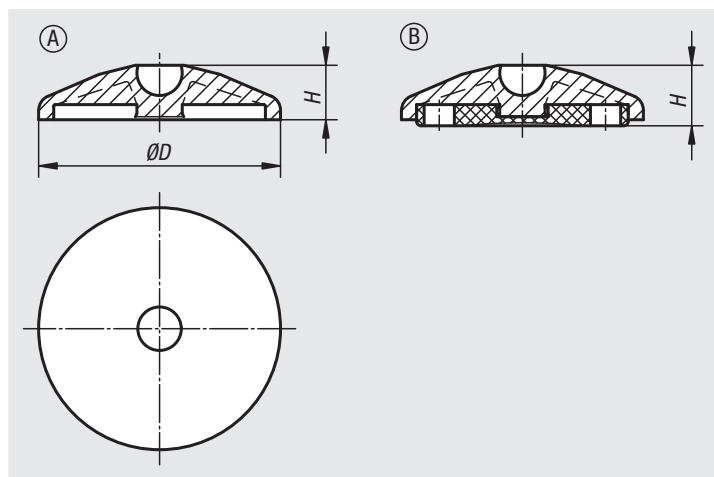
Device manufacturers required to conform to ATEX product directive 2014/34/EU.

Operators required to conform to ATEX worker protection directive 1999/92/EC.

Drawing reference:

Form A without screw-on hole, without anti-slip plate

Form B without screw-on hole, with anti-slip plate



Order No.	Form	D	H	Load rating max. kN
27800-11040	A	40	18	9
27800-11050	A	50	18	9
27800-11060	A	60	18	9
27800-12040	B	40	20	9
27800-12050	B	50	20	9
27800-12060	B	60	20	9

Swivel feet plates

plastic



Material:

Plates, thermoplastic, glass bead reinforced.
Anti-slip plate thermoplastic elastomer.

Version:

black.

Sample order:

nIm 27800-1030

nIm 27800-1030 and 27810-060151 **assembled**

Note for ordering:

If the swivel foot plate and the threaded spindle or ball joint are to be supplied assembled, please add the suffix "**assembled**" to the order number for the plate and the spindle or ball joint. (e.g. 27800-1030 and 27810-060151 **assembled**.)

Note:

Swivel feet consist of a plate and a threaded spindle or ball joint. Any plate can be combined with any threaded spindle or ball joint. The anti-slip plate absorbs vibrations and prevents the swivel foot slipping.

For matching threaded spindles see 27810.

For matching ball joints see 27811.

Drawing reference:

Form A

without screw-on hole, without anti-slip plate

Form B

without screw-on hole, with anti-slip plate

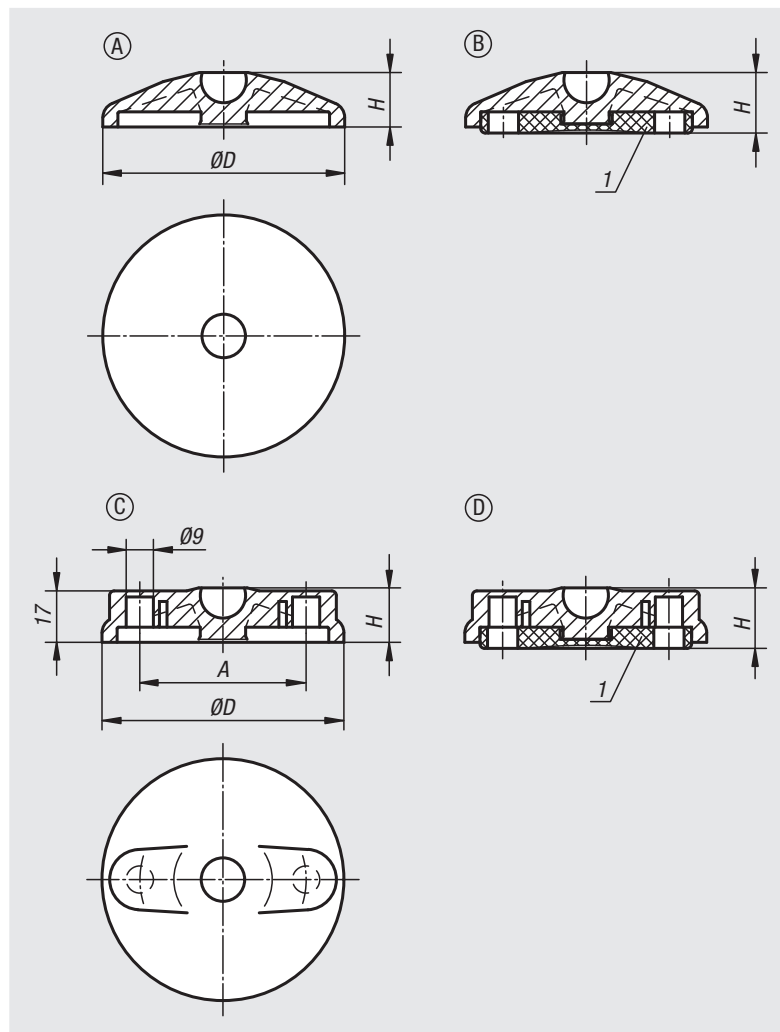
Form C

with screw-on hole (closed), without anti-slip plate

Form D

with screw-on hole (closed), with anti-slip plate

1) From plate $\varnothing 80$



Swivel feet plates

plastic

Order No. A	Order No. B	D	H	Load rating max. kN
27800-1030	27800-2030	30	18/20	5
27800-1040	27800-2040	40	18/20	9
27800-1045	27800-2045	45	18/20	9
27800-1050	27800-2050	50	18/20	9
27800-1060	27800-2060	60	18/20	9
27800-1080	27800-2080	80	18/20	9
27800-1100	27800-2100	100	18/20	9

Order No. Form C	Order No. Form D	D	A	H	Load rating max. kN
27800-3080	27800-4080	80	55	18/20	9
27800-3100	27800-4100	100	74	18/20	9
27800-3120	27800-4120	120	94	18/20	9