



Description

Material:

Body polyamide.
Non-slip inserts polyurethane.

Version:

Body black.

Note:

There should be no load on the feet when adjusting.
The specified axial, static load capacity refers to a screw protruding 10 mm and lying fully flat.
The adjustment plugs are not suitable as load gliders and are not intended for dynamic loads.

The lamellar form of the nut can be closed or interrupted.

Forms A and B: from 60 mm with fitted threaded shell.

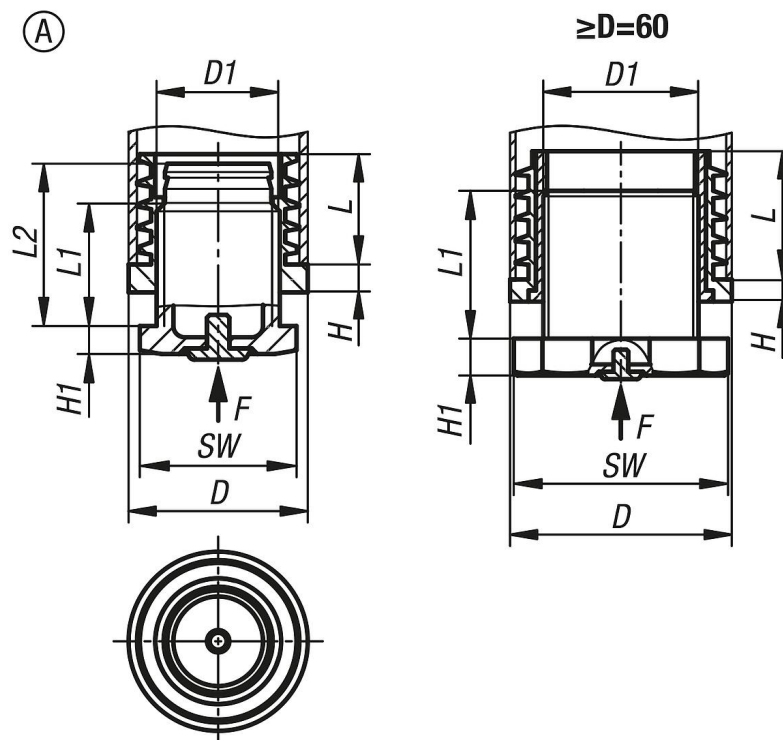
Application:

The adjustment plugs are used in steel pipes, tube covers or aluminium base frames in industry, trade and households. Particularly suitable for preventing sliding on smooth floors.

Assembly:

They can be pushed in by hand or tapped in with a plastic hammer.

Drawings



27799-10_A Adjustment plugs, plastic with non-slip inserts for round and square tubes, Form A, round



Overview of items

Order No.	Version 2	Form	Form definition	D	D1	H	H1	L	L1	L2	SW	Load rating max. kN (static load only)	Suitable for
27799-10-00251520	for round tubes	A	round	25	M16	5	5	19,7	22	29	24	1,5	Ø25x1,5-2
27799-10-00301015	for round tubes	A	round	30	M22	5	5	19,7	29	-	28	3	Ø30x1-1,5
27799-10-00301520	for round tubes	A	round	30	M22	5	5	27	29	-	28	2,5	Ø30x1,5-2
27799-10-00321520	for round tubes	A	round	32	M22	5	5	19,7	29	-	28	3	Ø32x1,5-2
27799-10-00351520	for round tubes	A	round	35	M22	5	5	29,3	29	-	28	3	Ø35x1,5-2
27799-10-00352025	for round tubes	A	round	35	M22	5	5	29,3	29	-	28	3	Ø35x2-2,5
27799-10-00381520	for round tubes	A	round	38	M22	5	5	29,3	29	-	28	3	Ø38x1,5-2
27799-10-00401520	for round tubes	A	round	40	M22	5	5	29,3	29	-	28	3	Ø40x1,5-2
27799-10-00402025	for round tubes	A	round	40	M22	5	5	29,3	29	-	28	3	Ø40x2-2,5
27799-10-00421520	for round tubes	A	round	42	M30	5	5	29,3	31	-	41	3	Ø42x1,5-2
27799-10-00451520	for round tubes	A	round	45	M30	5	5	29,3	31	-	41	3	Ø45x1,5-2
27799-10-00501520	for round tubes	A	round	50	M30	5	5	29,3	31	-	41	3	Ø50x1,5-2
27799-10-00511220	for round tubes	A	round	50,8	M30	5	5	29,3	31	-	41	3	Ø50,8x1,2-2
27799-10-00601520	for round tubes	A	round	60	S42X2	6	10	34,7	40	-	58	3	Ø60x1,5-2
27799-10-00801520	for round tubes	A	round	80	S56X2	6	10	34,7	40	-	74	3	Ø80x1,5-2