

Item description/product images



Description

Material:
Body polyamide.

Version:
Body black.

Note:
There should be no load on the feet when adjusting.

The specified axial, static load capacity refers to a screw protruding 10 mm and lying fully flat.

The adjustment plugs are not suitable as load gliders and are not intended for dynamic loads.

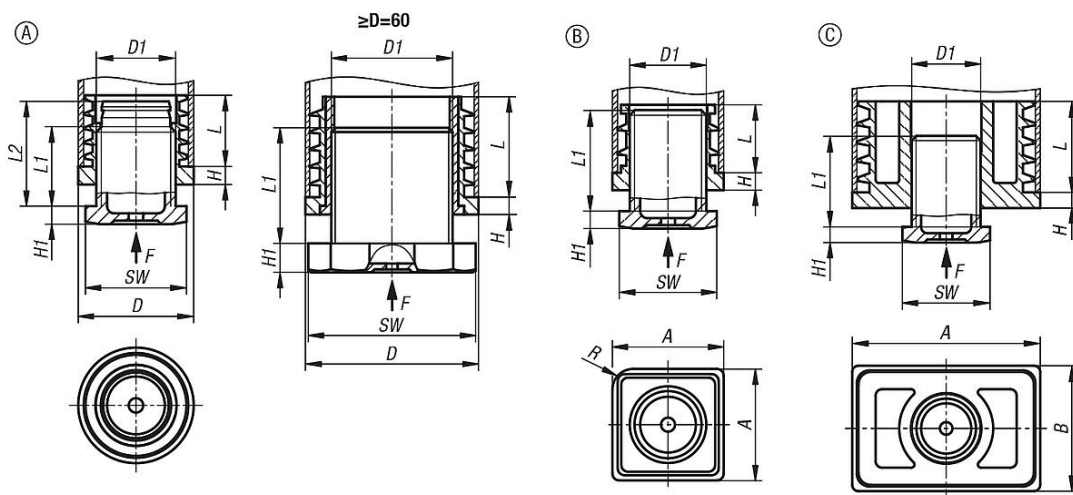
The lamellar form of the nut can be closed or interrupted.

Form A: from 60 mm with fitted threaded shell.

Application:
The adjustment plugs are used in steel pipes, tube covers or aluminium base frames in industry, trade and households. Suitable for hard and soft floors.

Assembly:
They can be pushed in by hand or tapped in with a plastic hammer.

Drawings



Overview of items

Order No.	Version 2	Form	Form definition	A	B	D	D1	H	H1	L	L1	L2	R	SW	Load rating max. kN (static load only)	Suitable for
27799-05-0025152022	for round tubes	A	round	-	-	25	M16	5	5	19,7	22	29,5	-	24	1,5	Ø25x1,5-2
27799-05-0025152060	for round tubes	A	round	-	-	25	M16	5	5	19,7	60	-	-	24	1,5	Ø25x1,5-2
27799-05-0030101529	for round tubes	A	round	-	-	30	M22	5	5	19,7	29	-	-	28	3	Ø30x1-1,5
27799-05-0030101560	for round tubes	A	round	-	-	30	M22	5	5	19,7	60	-	-	28	3	Ø30x1-1,5
27799-05-0032152029	for round tubes	A	round	-	-	32	M22	5	5	19,7	29	-	-	28	3	Ø32x1,5-2
27799-05-0032152060	for round tubes	A	round	-	-	32	M22	5	5	19,7	60	-	-	28	3	Ø32x1,5-2
27799-05-0035152029	for round tubes	A	round	-	-	35	M22	5	5	29,3	29	-	-	28	3	Ø35x1,5-2

Overview of items

Order No.	Version 2	Form	Form definition	A	B	D	D1	H	H1	L	L1	L2	R	SW	Load rating max. kN (static load only)	Suitable for
27799-05-0035202529	for round tubes	A	round	-	-	35	M22	5	5	29,3	29	-	-	28	3	Ø35x2-2,5
27799-05-0035152060	for round tubes	A	round	-	-	35	M22	5	5	29,3	60	-	-	28	3	Ø35x1,5-2
27799-05-0035202560	for round tubes	A	round	-	-	35	M22	5	5	29,3	60	-	-	28	3	Ø35x2-2,5
27799-05-0038152029	for round tubes	A	round	-	-	38	M22	5	5	29,3	29	-	-	28	3	Ø38x1,5-2
27799-05-0038152060	for round tubes	A	round	-	-	38	M22	5	5	29,3	60	-	-	28	3	Ø38x1,5-2
27799-05-0040152029	for round tubes	A	round	-	-	40	M22	5	5	29,3	29	-	-	28	3	Ø40x1,5-2
27799-05-0040202529	for round tubes	A	round	-	-	40	M22	5	5	29,3	29	-	-	28	3	Ø40x2-2,5
27799-05-0040152060	for round tubes	A	round	-	-	40	M22	5	5	29,3	60	-	-	28	3	Ø40x1,5-2
27799-05-0040202560	for round tubes	A	round	-	-	40	M22	5	5	29,3	60	-	-	28	3	Ø40x2-2,5
27799-05-0042152031	for round tubes	A	round	-	-	42	M30	5	5	29,3	31	-	-	41	3	Ø42x1,5-2
27799-05-0042152060	for round tubes	A	round	-	-	42	M30	5	5	29,3	60	-	-	41	3	Ø42x1,5-2
27799-05-0045152031	for round tubes	A	round	-	-	45	M30	5	5	29,3	31	-	-	41	3	Ø45x1,5-2
27799-05-0045152060	for round tubes	A	round	-	-	45	M30	5	5	29,3	60	-	-	41	3	Ø45x1,5-2
27799-05-0050152031	for round tubes	A	round	-	-	50	M30	5	5	29,3	31	-	-	41	3	Ø50x1,5-2
27799-05-0050202531	for round tubes	A	round	-	-	50	M30	5	5	29,3	31	-	-	41	3	Ø50x2-2,5
27799-05-0050152060	for round tubes	A	round	-	-	50	M30	5	5	29,3	60	-	-	41	3	Ø50x1,5-2
27799-05-0050202560	for round tubes	A	round	-	-	50	M30	5	5	29,3	60	-	-	41	3	Ø50x2-2,5
27799-05-0051122031	for round tubes	A	round	-	-	50,8	M30	5	5	29,3	31	-	-	41	3	Ø50,8x1,2-2
27799-05-0051122060	for round tubes	A	round	-	-	50,8	M30	5	5	29,3	60	-	-	41	3	Ø50,8x1,2-2
27799-05-0060152080	for round tubes	A	round	-	-	60	S42X2	6	10	34,7	80	-	-	58	3	Ø60x1,5-2
27799-05-0080152040	for round tubes	A	round	-	-	80	S56X2	6	10	34,7	40	-	-	74	3	Ø80x1,5-2
27799-05-0080152080	for round tubes	A	round	-	-	80	S56X2	6	10	34,7	80	-	-	74	3	Ø80x1,5-2
27799-05-3030152029	for square tubing	B	square	30	-	-	M22	5	5	19,5	29	-	6	28	3	30x30x1,5-2
27799-05-3030152060	for square tubing	B	square	30	-	-	M22	5	5	19,5	60	-	6	28	3	30x30x1,5-2
27799-05-6040152029	-	C	rectangular	60	40	-	M22	5	5	29	29	-	-	28	4	60x40x1,5-2
27799-05-6040152060	-	C	rectangular	60	40	-	M22	5	5	29	60	-	-	28	4	60x40x1,5-2